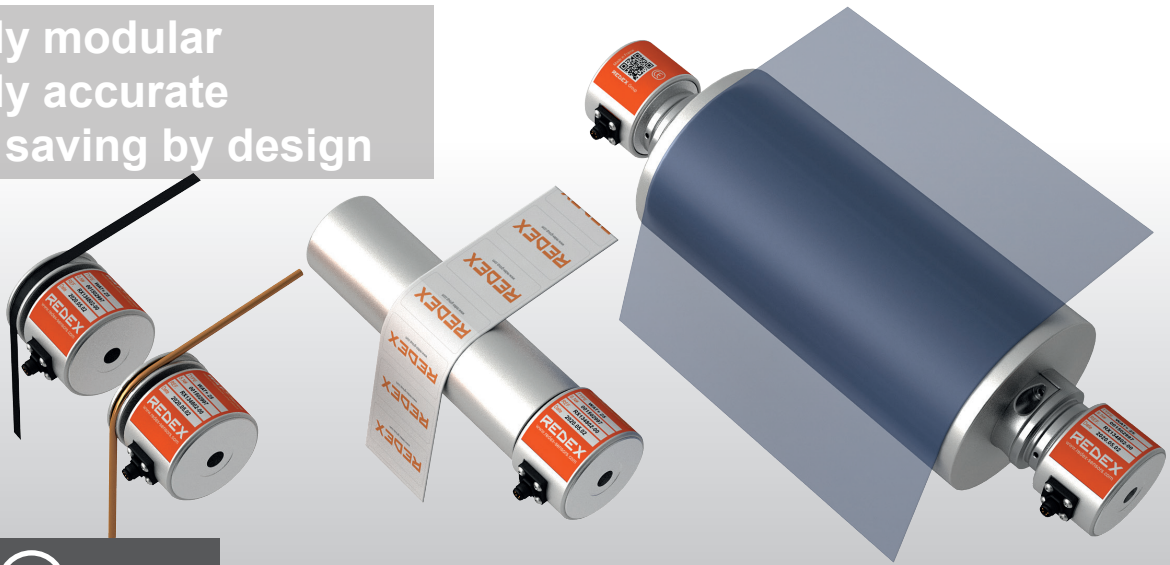


PRECISION LOAD CELLS

REDEX
SENSORS

- Highly modular
- Highly accurate
- Cost saving by design



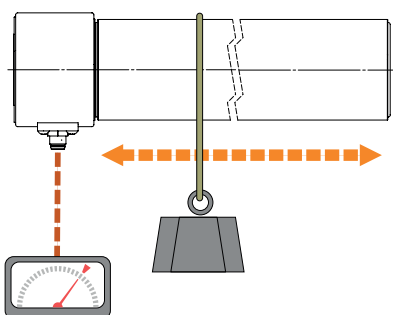
WAT+ Series

ADVANCED TECHNOLOGY IN ACTION

WAT+ concept enables a comprehensive range of force transducers and accessories, especially designed for dynamic tension measurement of fibers, wires, and web.

WAT+ concept perfectly suits any technically very demanding applications in various high-tech industries such as, composites, wire and cable, textiles, as well as to the up-to-date packaging, labelling & finishing equipment.

CANTILEVER COMPENSATION CONCEPT



Constant measurement value,
whatever the load position
along the roll !

WAT+
**FITS
THEM
ALL**



TRANSDUCERS & ACCESSORIES

Transducers

Model	Full scale	Ref
WAT+5	50N	ME134810-00
WAT+25	250N	ME134802-00
WAT+50	500N	ME134890-00

Accessories

Model	Description	Ref
ACC-F	Pulley mounting shaft	ME134803-00
ACC-S	Dead shaft mounting	ME134811-00
ACC-N100	Roller Ø 50 - L 100mm	ME134813-00
ACC-N200	Roller Ø 50 - L 200mm	ME134808-00
ACC-N300	Roller Ø 50 - L 300mm	ME134814-00
FLANGE	Rear side mounting flange	ME134812-00

Special requests: WAT+ keeps compatible with your own design !