

Powerblock +

Regulated Power Supply Series

The most comprehensive range of **CURRENT REGULATED Power Supply** units, based on microcontroller technology.

PowerBlock2 +

The universal solution, suitable to the main part of MEROBEL's EMP Brakes and Clutches range

PowerBlock4 +

The higher level of output current. Suitable for special coils, for the use of several devices plugged in parallel mode, or other Brakes technologies with low impedance coil (i.e. Hysteresys).

PowerBlock04 +

Ideal for higher remote control accuracy of the smallest sizes of MEROBEL's EMP Brakes and Clutches and other Brakes technologies with high impedance coil (i.e. Hysteresys).



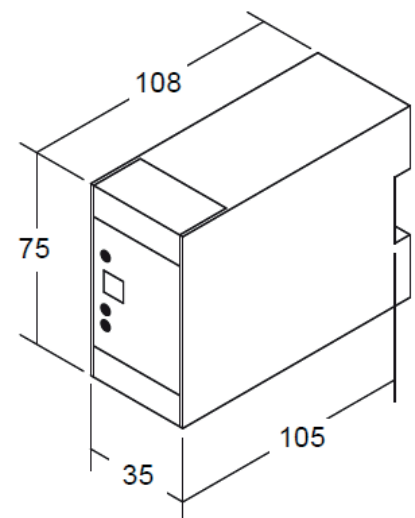
Benefits

- ▶ Compact & Cost effective design
- ▶ Accurate current output control, independent of coil temperature.
- ▶ High protection against transients, leading to high reliability in industrial environments.

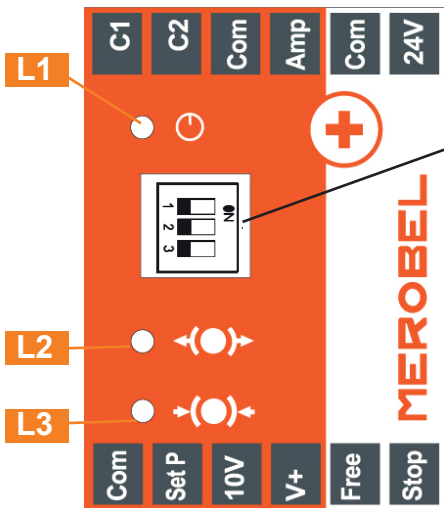
Technical Features

		Pb2+	Pb4+	Pb04+
Input voltage	[V]	24 to 35V DC	24 to 30V DC	24 to 35V DC
Max output current	[A]	2	4	400 mAmp
Output load (resistance	[ohm]	5 to 60	1 to 10	20 to 400
Max power consumption	[VA]	70	120	40
Remote voltage control	[V]	0 to 10 DC	0 to 10 DC	0 to 10 DC
Ambient temperature	[°C]	+10 +40	+10 +40	+10 +40
Weight	g	170	170	170
Product reference	#	ME134723-00	ME134826-00	ME134829-00

Dimensions



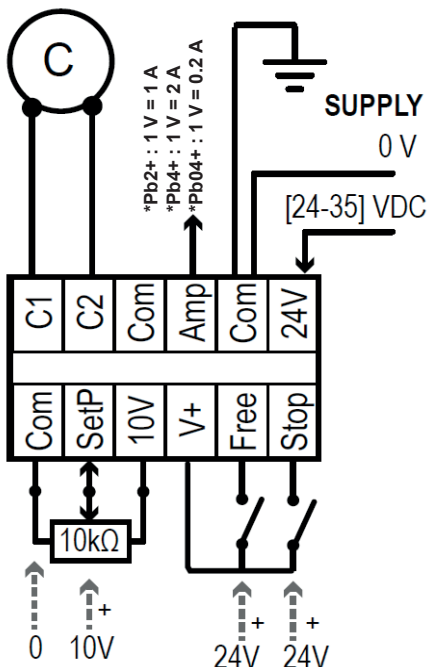
- L1** Power ON
- L2** Freewheel ON
- L3** Blocking ON



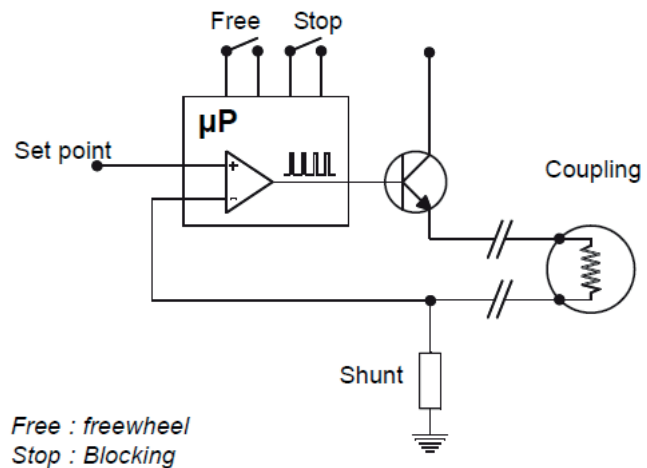
Max. Output current adjustment

	Pb2+	Pb4+	Pb04+		Pb2+	Pb4+	Pb04+
	0,25	0,5	0,05		1,25	2,5	0,25
	0,5	1	0,1		1,5	3	0,3
	0,75	1,5	0,15		1,75	3,5	0,35
	1	2	0,2		2	4	0,4

Wiring



Principle



Free : freewheel
Stop : Blocking

- C1 / C2** Coupling supply (C)
- Com** 0 V
- Amp** Real time current equivalent voltage
- 0 V** Equipotential supply point
- 24 V** 24 V Supply
- SetP** Set point input (0 -> 10 V DC)
- 10V** Set point potentiometer supply (10k Ω)
- V+** Logic inputs voltage remote control
- Free** Logic input "Freewheel" mode
- Stop** Logic input "Blocking" mode