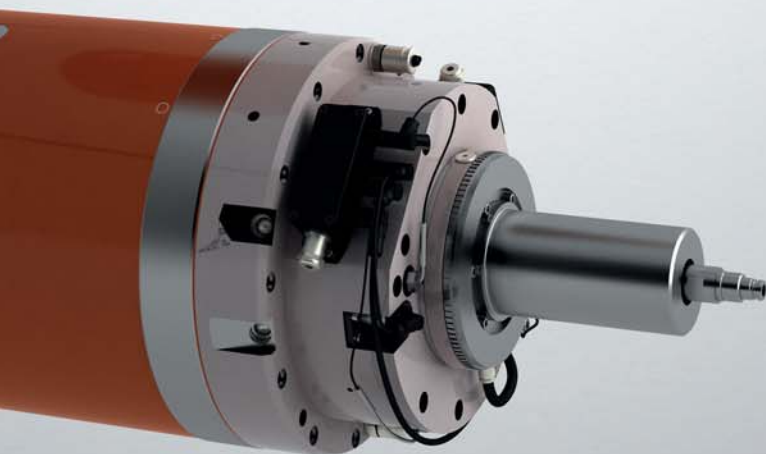
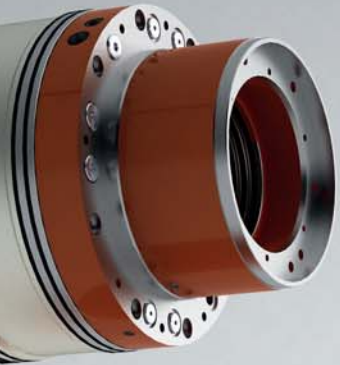


2 Speed Spindle Gearboxes

RAM

RAM *SIZE 190*



Speed	N1B	[rpm]
Power	P	[kW]
Torque	T2N	[Nm]

Speed	N1B	[rpm]
Power	P	[kW]
Torque	T2N	[Nm]

Mounting position

Control

Interface

Cooling/Flow rate **[l/mn]**

Cooling/Loss power **[kW]**

Bearings lubrication

Lubrication/Flow rate **[l/mn]**

Lubrication/Loss power **[kW]**

Speed shifting/Pressure **[bar]**

Speed shifting/Flow rate **[l/mn]**

RAM design for external forced lubrication

Gearbox only

Gearbox + Cooling Jacket

Gearbox + Cooling Jacket
+ output shaft arrangement

S1 - 100%

		Gear 1:1		Gear 5:1	
		1500	12000	300	2400
		25.6	25.6	24.8	24.8
		163	20	790	99



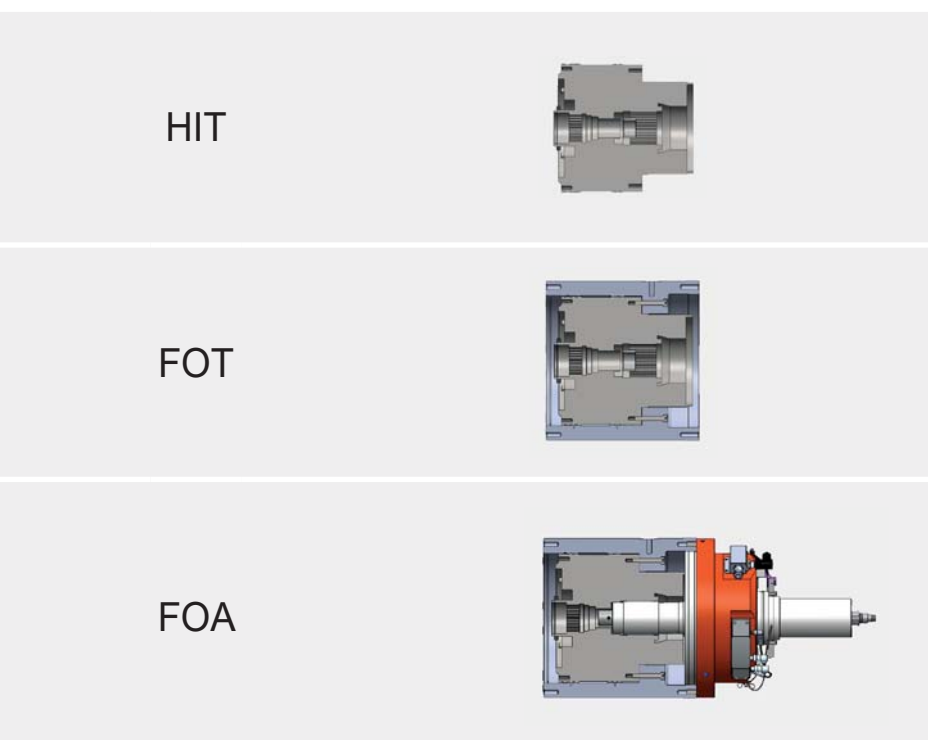
S6 - 40%

		Gear 1:1		Gear 5:1	
		1500	12000	300	2400
		35.6	35.6	34.5	34.5
		227	28	1100	137

Technical Features

Vertical, horizontal and Swiveling
Siemens/Fanuc/Heidenhain
Internal splines
25
0.77
Grease
1.5
0.46
50 to 100
5 to 7

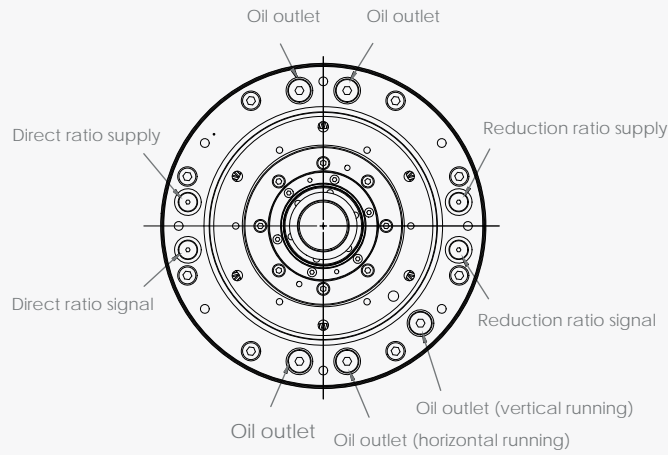
Interface



DIMENSIONS

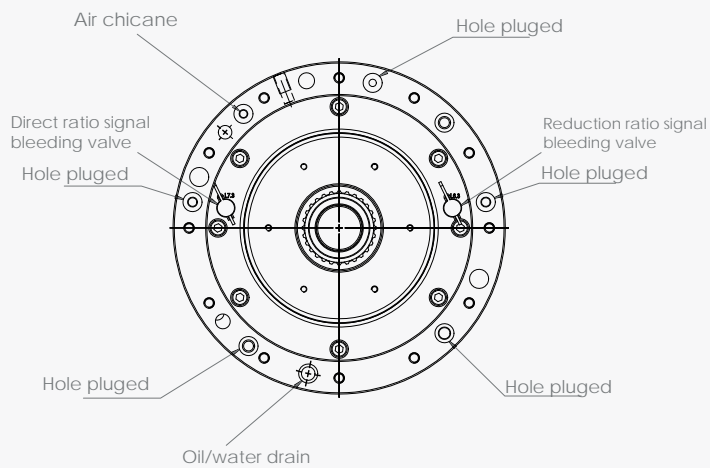
HIT

A View



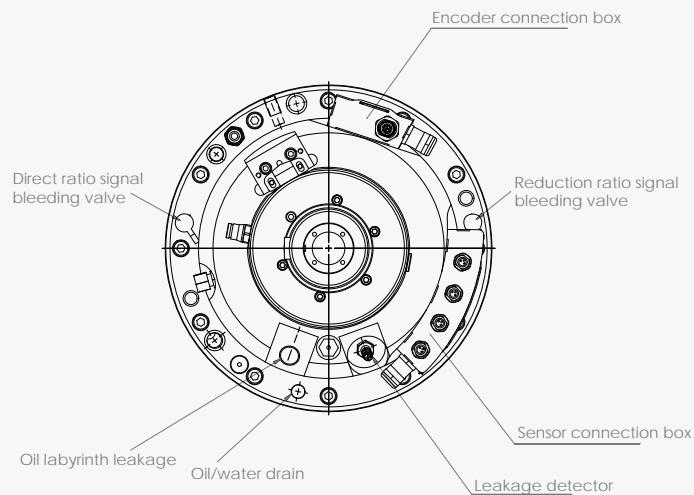
FOT

B View



FOA

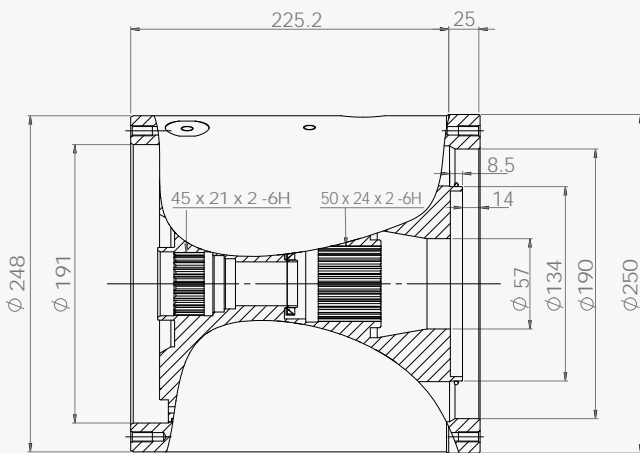
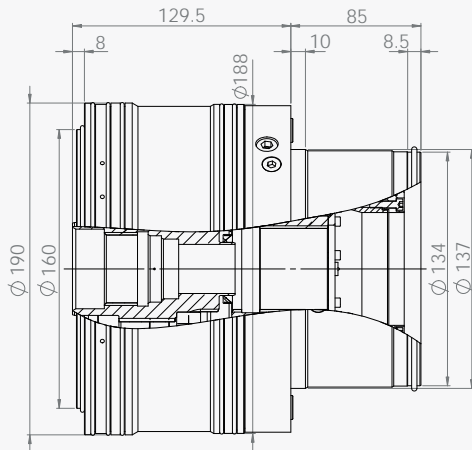
C View



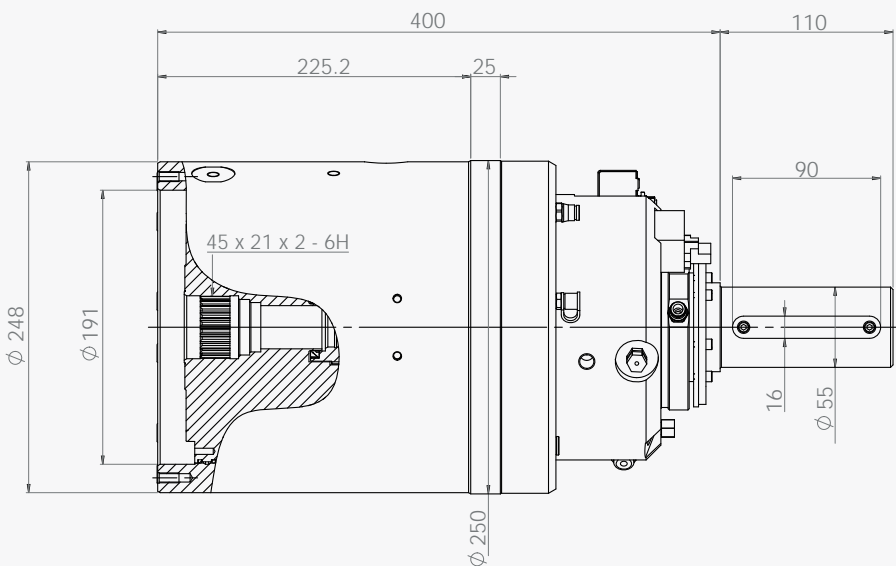
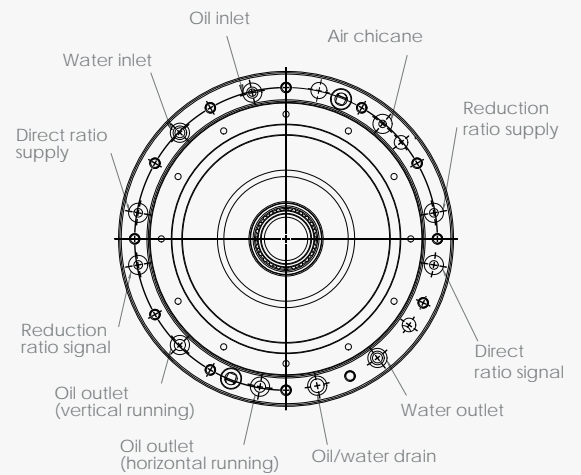
DIMENSIONS

GM 800 

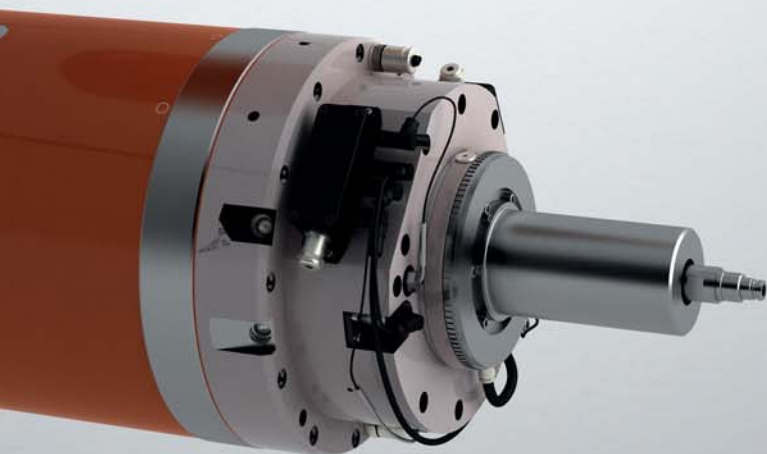
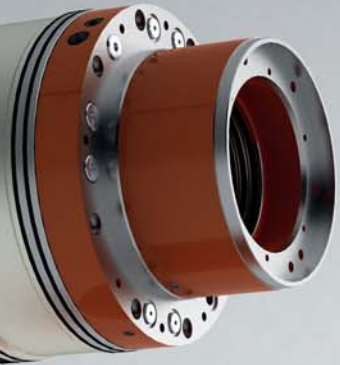
RAM 190 



D View



RAM *SIZE 220*



Speed	N1B	[rpm]
Power	P	[kW]
Torque	T2N	[Nm]

Speed	N1B	[rpm]
Power	P	[kW]
Torque	T2N	[Nm]

Mounting position

Control

Interface

Cooling/Flow rate [l/mn]

Cooling/Loss power [kW]

Bearings lubrication

Lubrication/Flow rate [l/mn]

Lubrication/Loss power [kW]

Speed shifting/Pressure [bar]

Speed shifting/Flow rate [l/mn]

RAM design for external forced lubrication

Gearbox only

Gearbox + Cooling Jacket

Gearbox + Cooling Jacket
+ output shaft arrangement

S1 - 100%

		Gear 1:1		Gear 5:1	
		1500	9000	300	1800
		43.7	43.7	42.4	42.4
		278	46	1349	225

GM 1300



RAM 220



S6 - 40%

		Gear 1:1		Gear 5:1	
		1500	9000	300	1800
		60.9	60.9	59.1	59.1
		388	65	1880	313

Technical Features

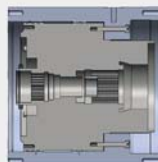
Vertical, horizontal and Swiveling
Siemens/Fanuc/Heidenhain
Internal splines
35
1.31
Grease
2
0.61
50 to 100
5 to 7

Interface

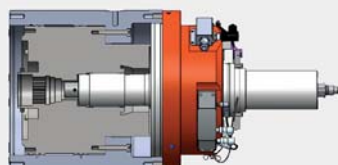
HIT



FOT



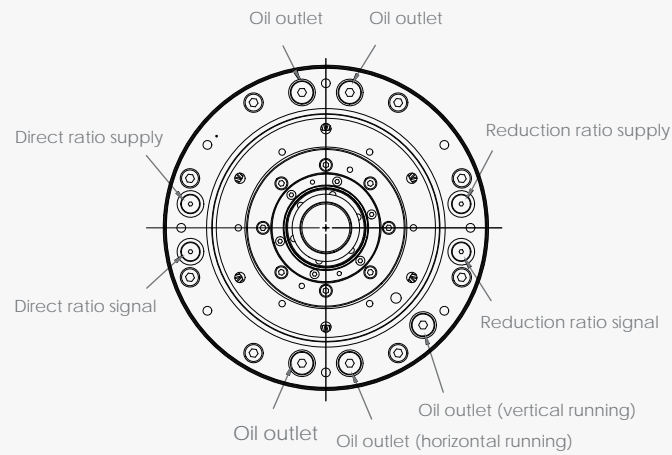
FOA



DIMENSIONS

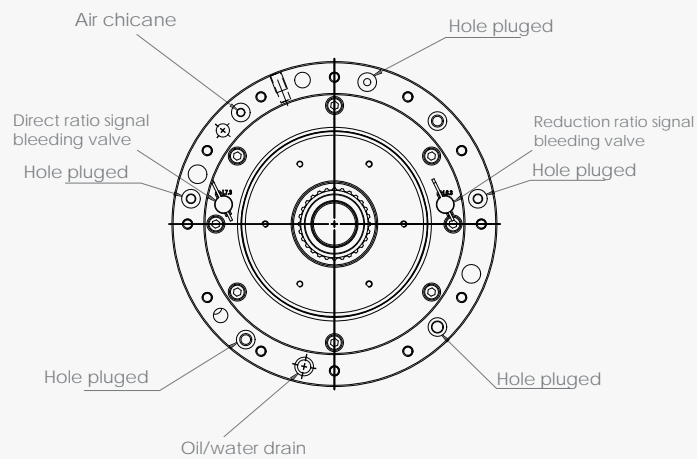
HIT

A View



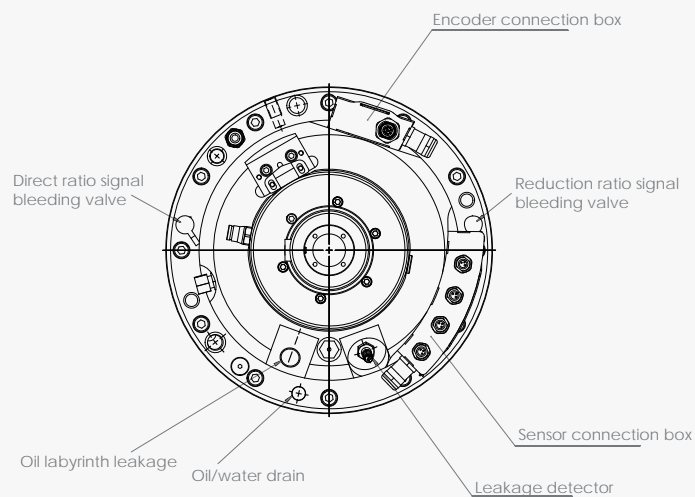
FOT

B View



FOA

C View

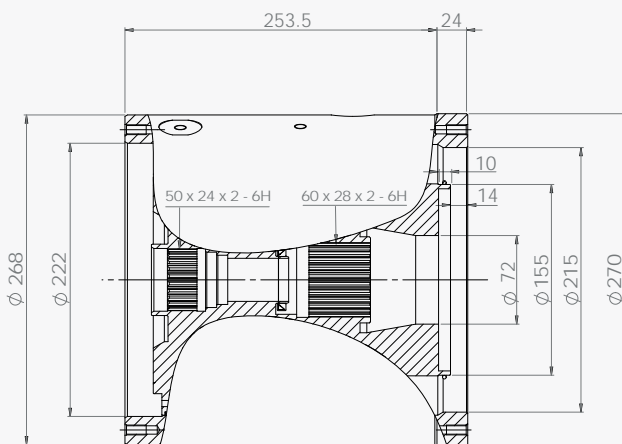
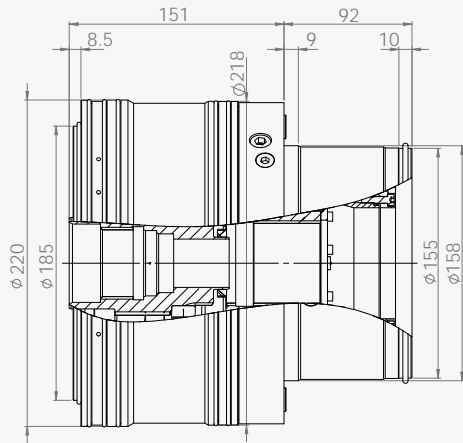


DIMENSIONS

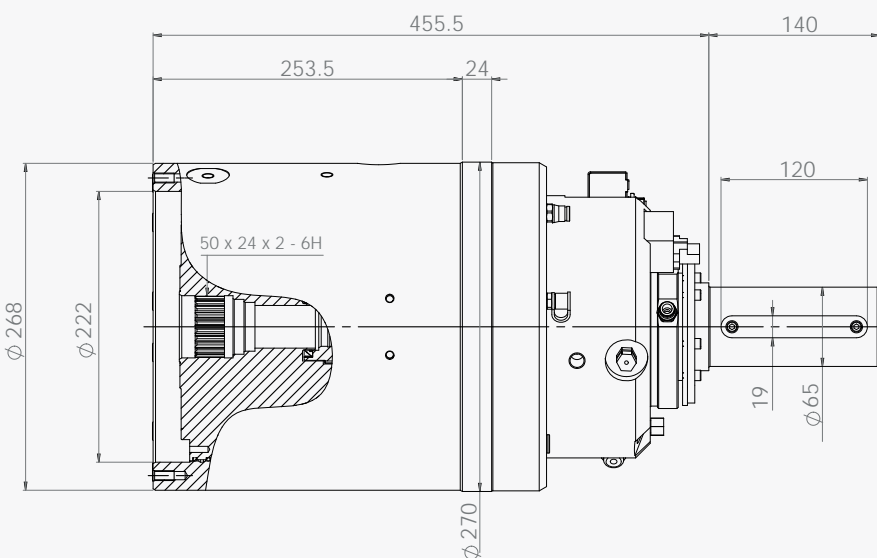
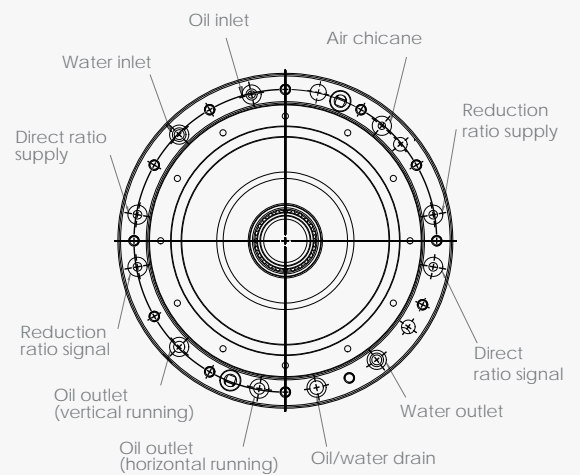
GM 1300



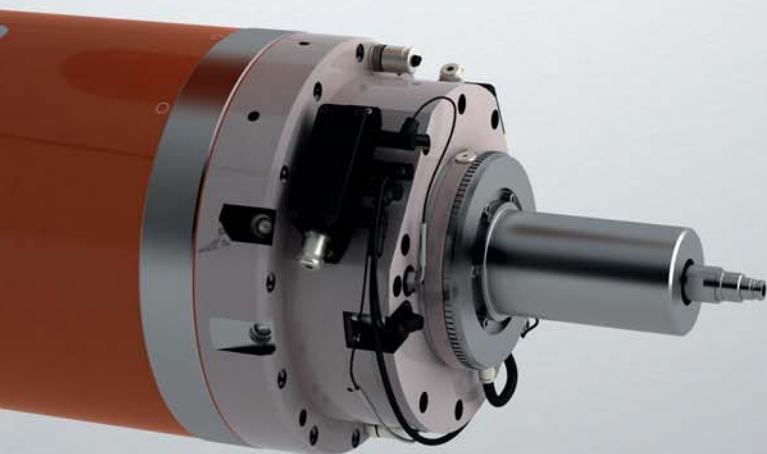
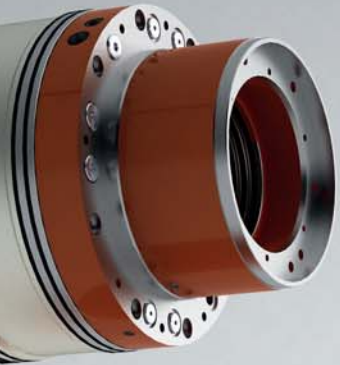
RAM 220



D View



RAM *SIZE 250*



Speed	N1B	[rpm]
Power	P	[kW]
Torque	T2N	[Nm]

Speed	N1B	[rpm]
Power	P	[kW]
Torque	T2N	[Nm]

Control	
Interface	
Cooling/Flow rate	[l/mn]
Cooling/Loss power	[kW]
Bearings lubrication	
Lubrication/Flow rate	[l/mn]
Lubrication/Loss power	[kW]
Speed shifting/Pressure	[bar]
Speed shifting/Flow rate	[l/mn]

RAM design for external forced lubrication

Gearbox only

Gearbox + Cooling Jacket

Gearbox + Cooling Jacket
+ output shaft arrangement

S1 - 100%

Gear 1:1		Gear 5:1	
1500	8000	300	1600
60.2	60.2	58.4	58.4
384	72	1860	349

GM 2000



RAM 250



S6 - 40%

Gear 1:1		Gear 5:1	
1500	8000	300	1600
83.6	83.6	81	81
532	100	2580	484

Technical Features

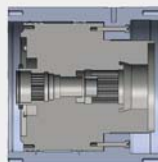
Siemens/Fanuc/Heidenhain
Internal splines
40
1.81
Grease
2.5
0.77
50 to 100
8 to 10

Interface

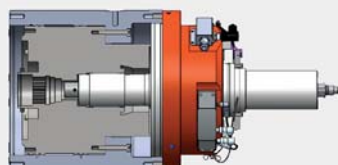
HIT



FOT



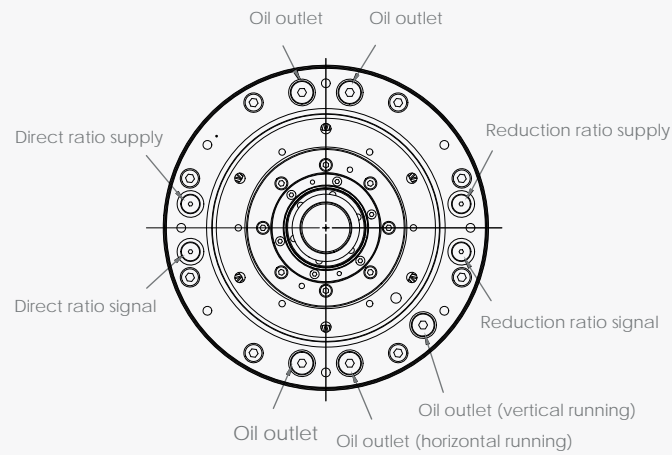
FOA



DIMENSIONS

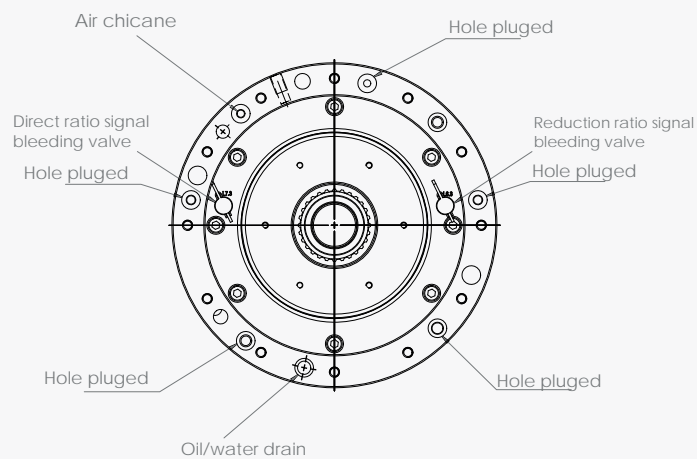
HIT

A View



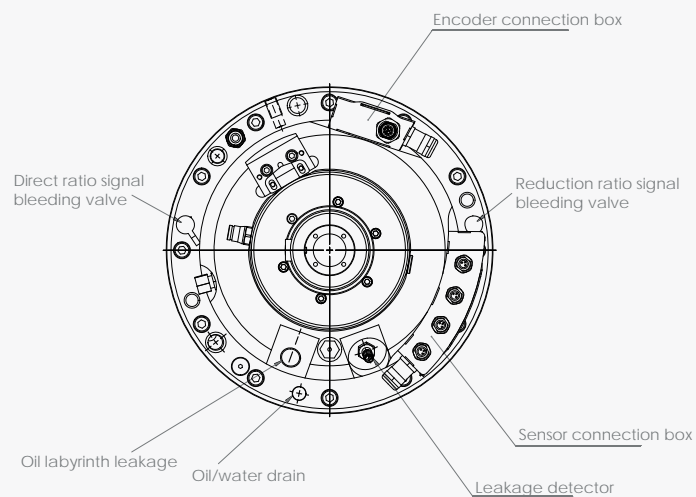
FOT

B View



FOA

C View

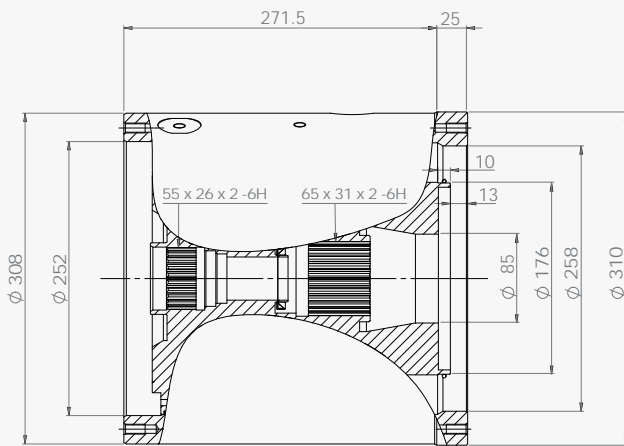
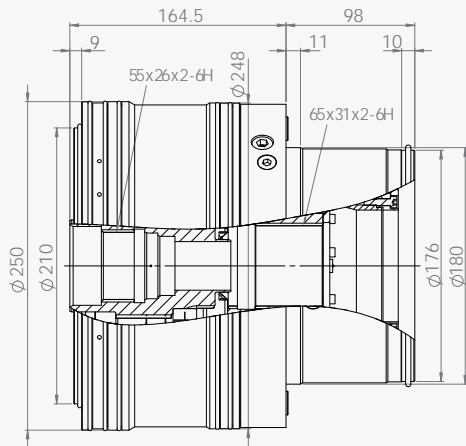


DIMENSIONS

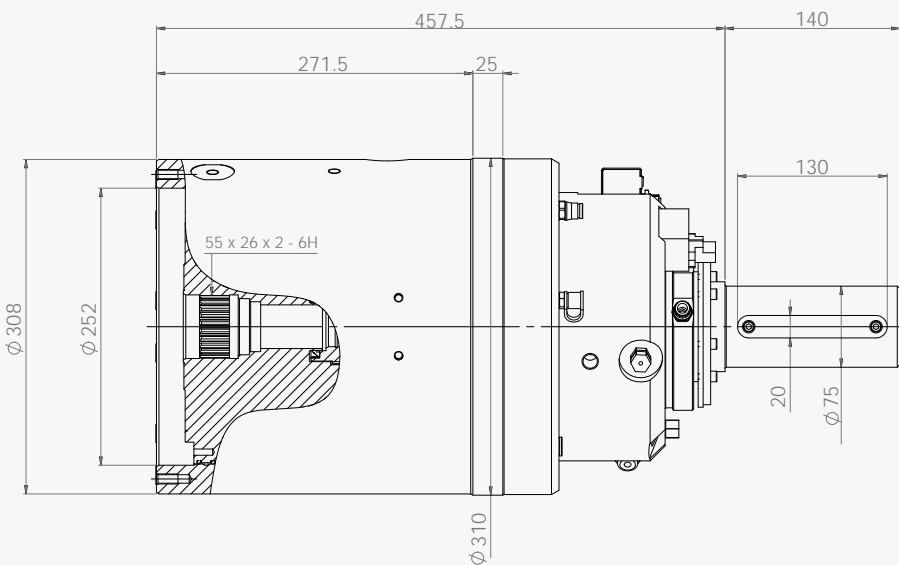
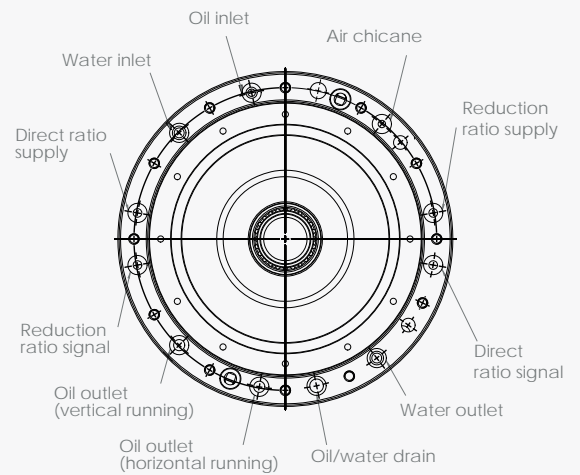
GM 2000



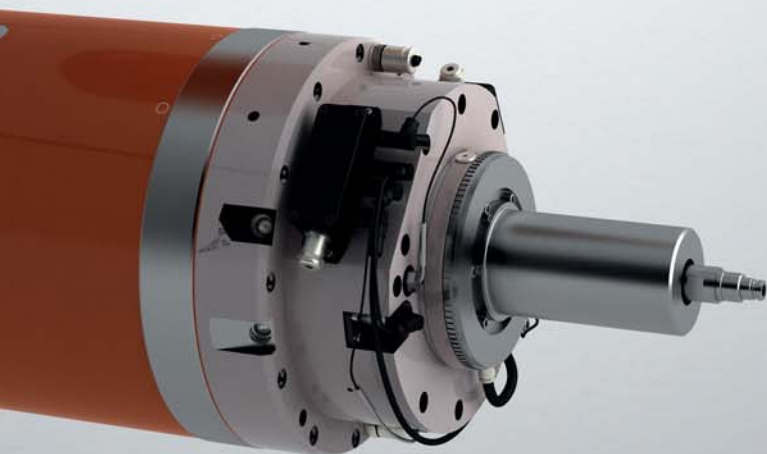
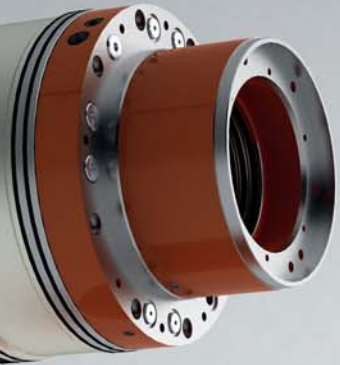
RAM 250



D View



RAM *SIZE 280*



Speed	N1B	[rpm]
Power	P	[kW]
Torque	T2N	[Nm]

Speed	N1B	[rpm]
Power	P	[kW]
Torque	T2N	[Nm]

Mounting position

Control

Interface

Cooling/Flow rate **[l/mn]**

Cooling/Loss power **[kW]**

Bearings lubrication

Lubrication/Flow rate **[l/mn]**

Lubrication/Loss power **[kW]**

Speed shifting/Pressure **[bar]**

Speed shifting/Flow rate **[l/mn]**

RAM design for external forced lubrication

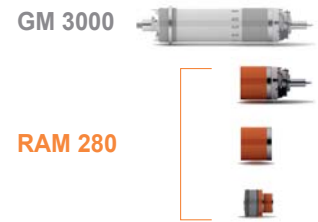
Gearbox only

Gearbox + Cooling Jacket

Gearbox + Cooling Jacket
+ output shaft arrangement

S1 - 100%

		Gear 1:1		Gear 5:1	
		1500	7000	300	1400
		97.1	97.1	94.2	94.2
		619	133	3000	643



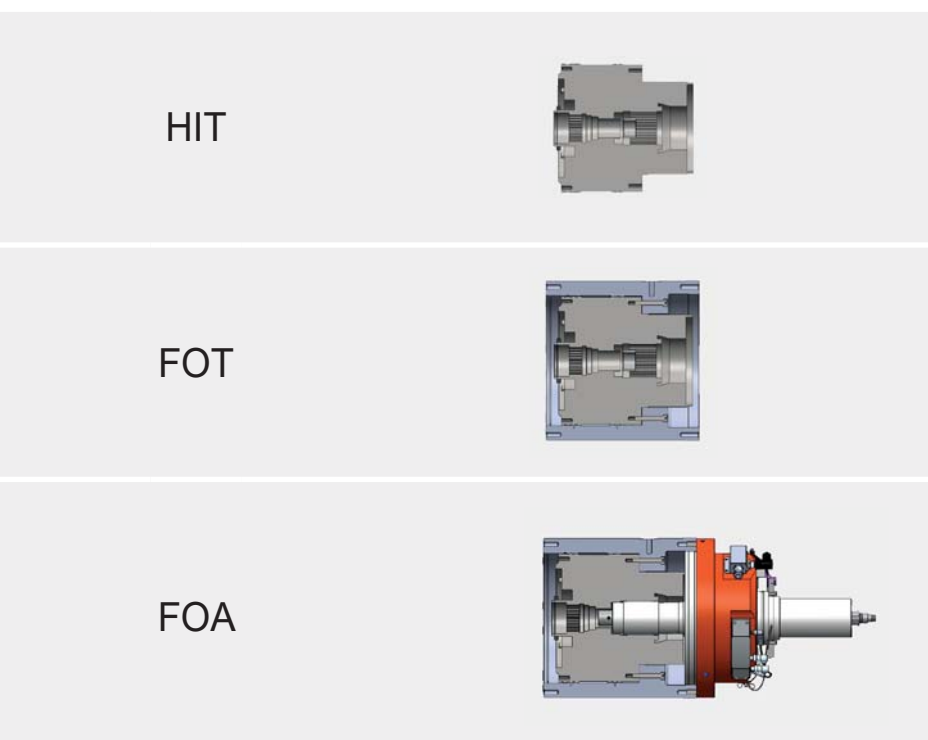
S6 - 40%

		Gear 1:1		Gear 5:1	
		1500	7000	300	1400
		145.7	145.7	141.3	141.3
		928	199	4500	964

Technical Features

Vertical and horizontal
Siemens/Fanuc/Heidenhain
Internal splines
40
2.91
Grease
3
0.92
50 to 100
8 to 10

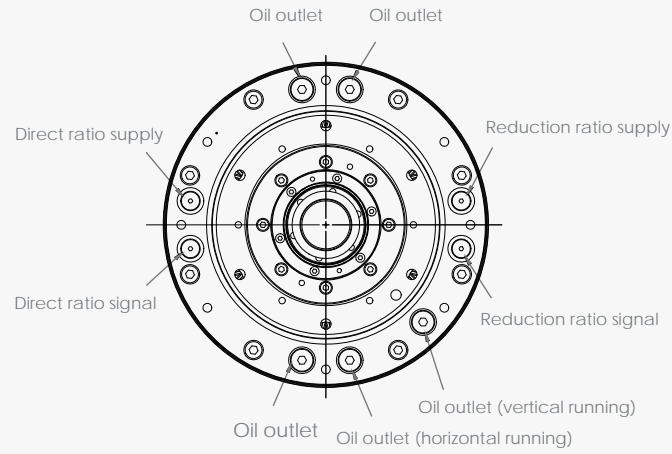
Interface



DIMENSIONS

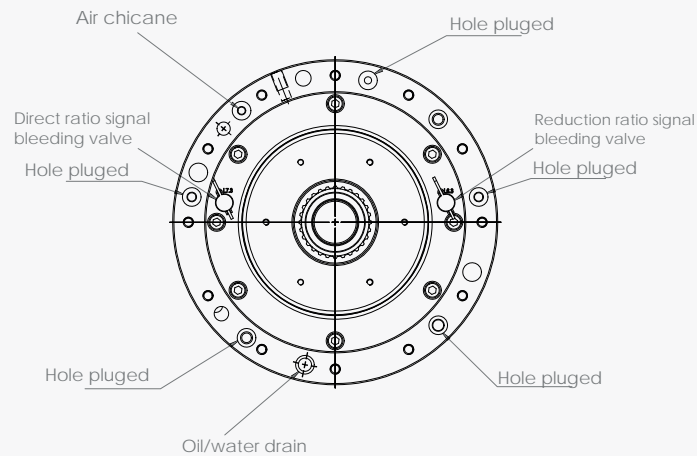
HIT

A View



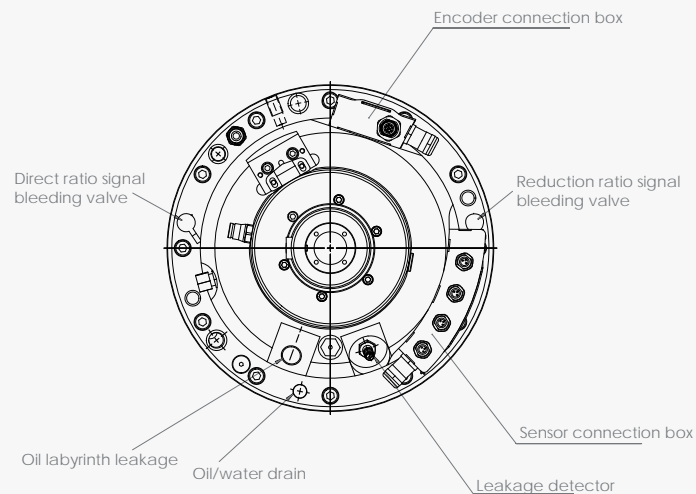
FOT

B View



FOA

C View

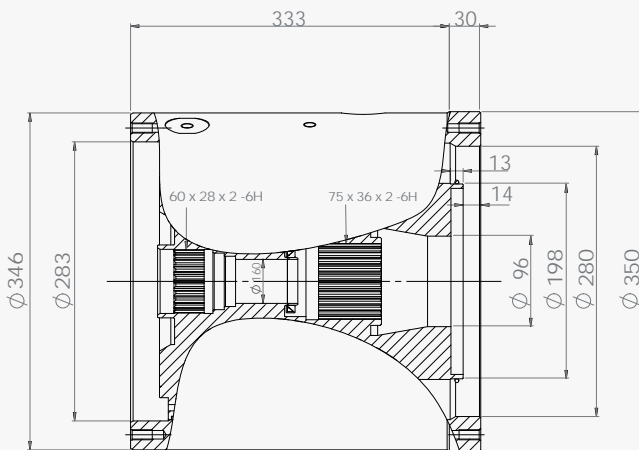
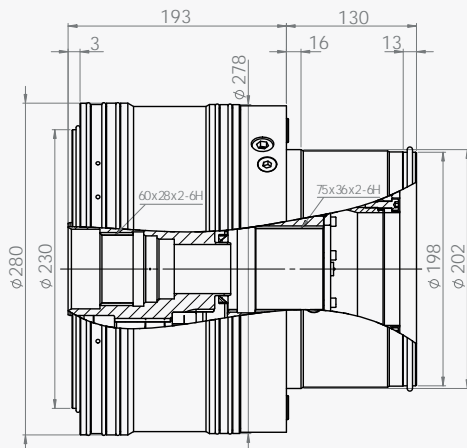


DIMENSIONS

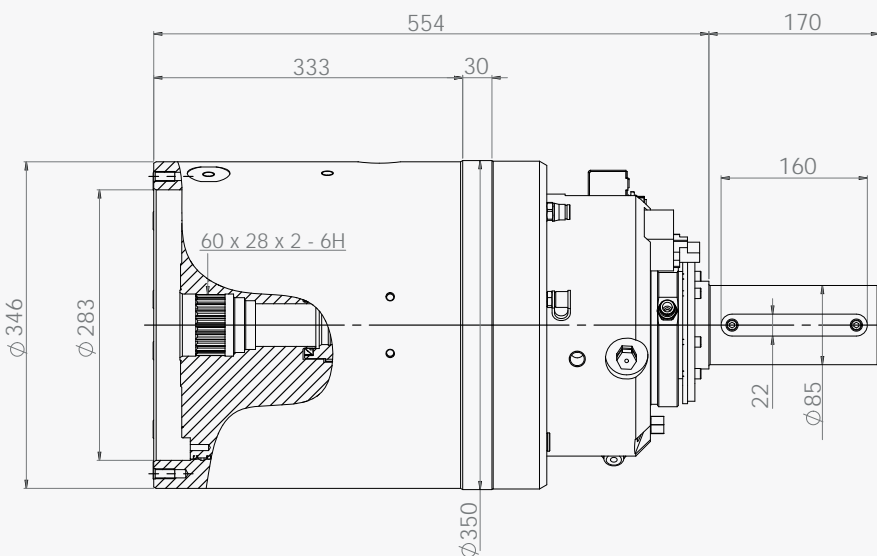
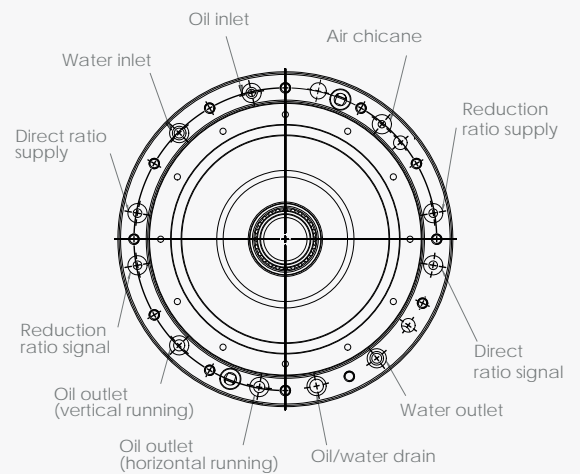
GM 3000



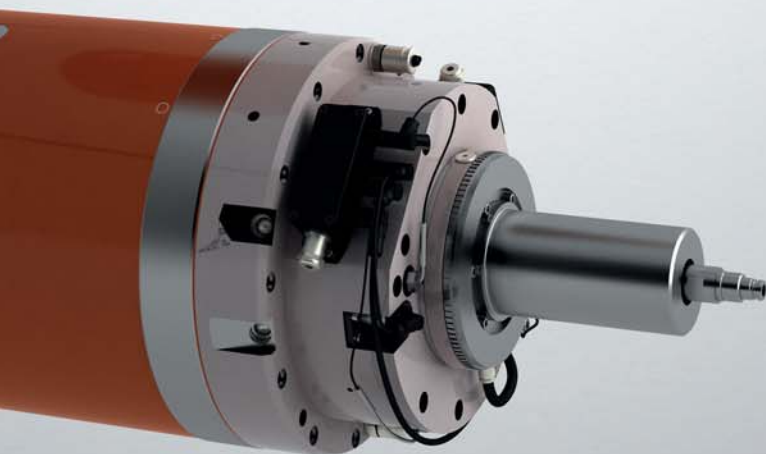
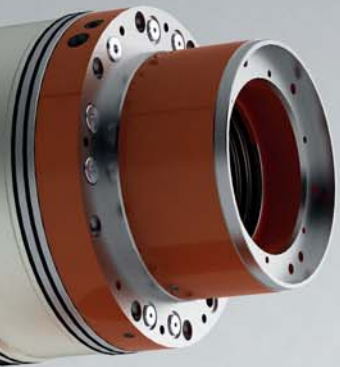
RAM 280



D View



RAM *SIZE 350*



Speed	N1B	[rpm]
Power	P	[kW]
Torque	T2N	[Nm]

Speed	N1B	[rpm]
Power	P	[kW]
Torque	T2N	[Nm]

Control

Interface

Cooling/Flow rate **[l/mn]**

Cooling/Loss power **[kW]**

Bearings lubrication

Lubrication/Flow rate **[l/mn]**

Lubrication/Loss power **[kW]**

Speed shifting/Pressure **[bar]**

Speed shifting/Flow rate **[l/mn]**

RAM design for external forced lubrication

Gearbox only

Gearbox + Cooling Jacket

Gearbox + Cooling Jacket
+ output shaft arrangement

S1 - 100%

Gear 1:1		Gear 5:1	
550	6000	110	1200
83.1	83.1	80.6	80.6
1443	132	7000	642



S6 - 40%

Gear 1:1		Gear 5:1	
550	6000	110	1200
133	133	129	129
2309	212	11200	1027

Technical Features

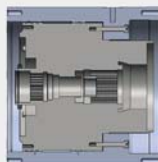
Siemens/Fanuc/Heidenhain
Internal splines
40
2.49
Grease
3.5
1.07
50 to 100
8 to 10

Interface

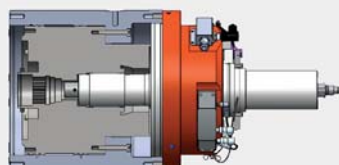
HIT



FOT



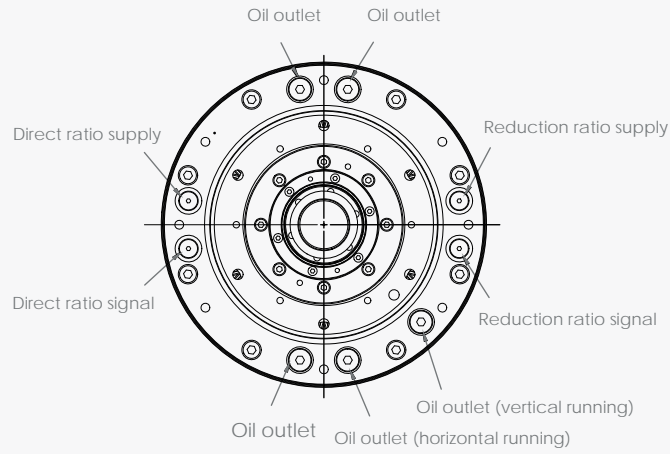
FOA/FOB



DIMENSIONS

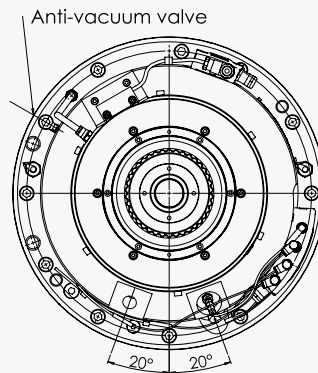
HIT

A View



FOB

B View



ANDANTEX USA Inc.

1705 Valley Road,
Wanamassa, NJ 07712
800-713-6170
Fax 732-493-2949
E-mail info@andantex.com
WWW.ANDANTEX.COM