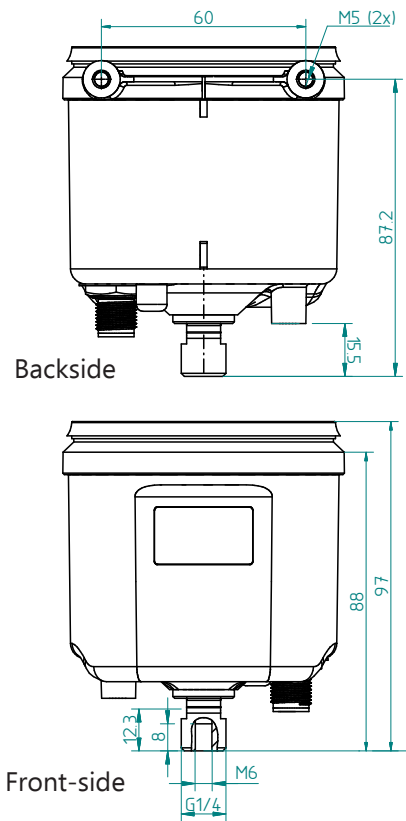
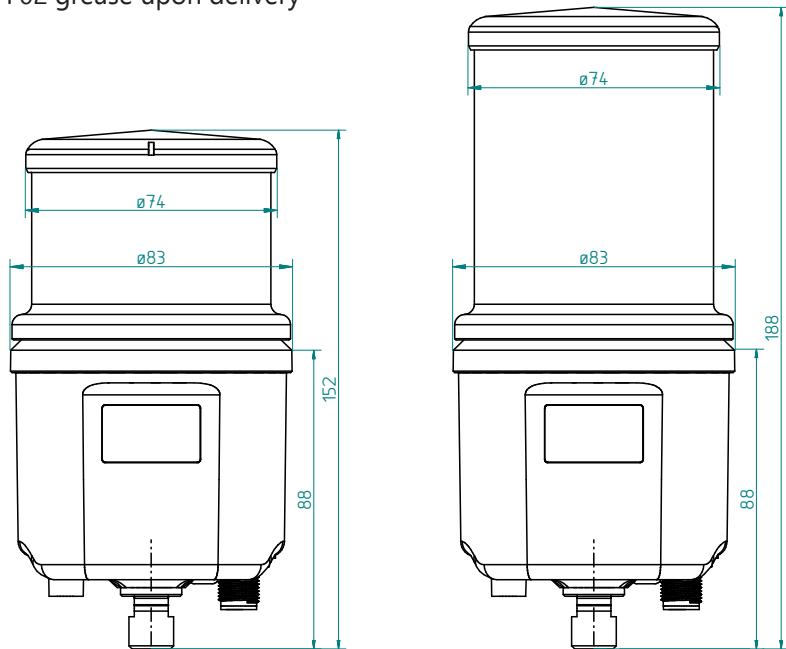


# FlexxPump 125 & FlexxPump 125 DLS



**Note on delivery:**  
The FlexxPump 125 is primed with F02 grease upon delivery



control	type	outlets	double-pump bodies	lubrication points	cartridge size	M12x1 plug	part-no.
24 V DC time-controlled	125	1	1	max. 4* / 10**	125 cm <sup>3</sup>	yes	135-125-100
					250 cm <sup>3</sup>		135-225-100
24 V DC pulse-controlled	125 DLS	1	1	max. 4* / 10**	125 cm <sup>3</sup>	yes	135-125-210
					250 cm <sup>3</sup>		135-225-210

\* when using distributors / splitter

\*\* when using distributors more lubrication points are possible!

# Controlled Minimum Quantity Lubrication for Grease 24V DC

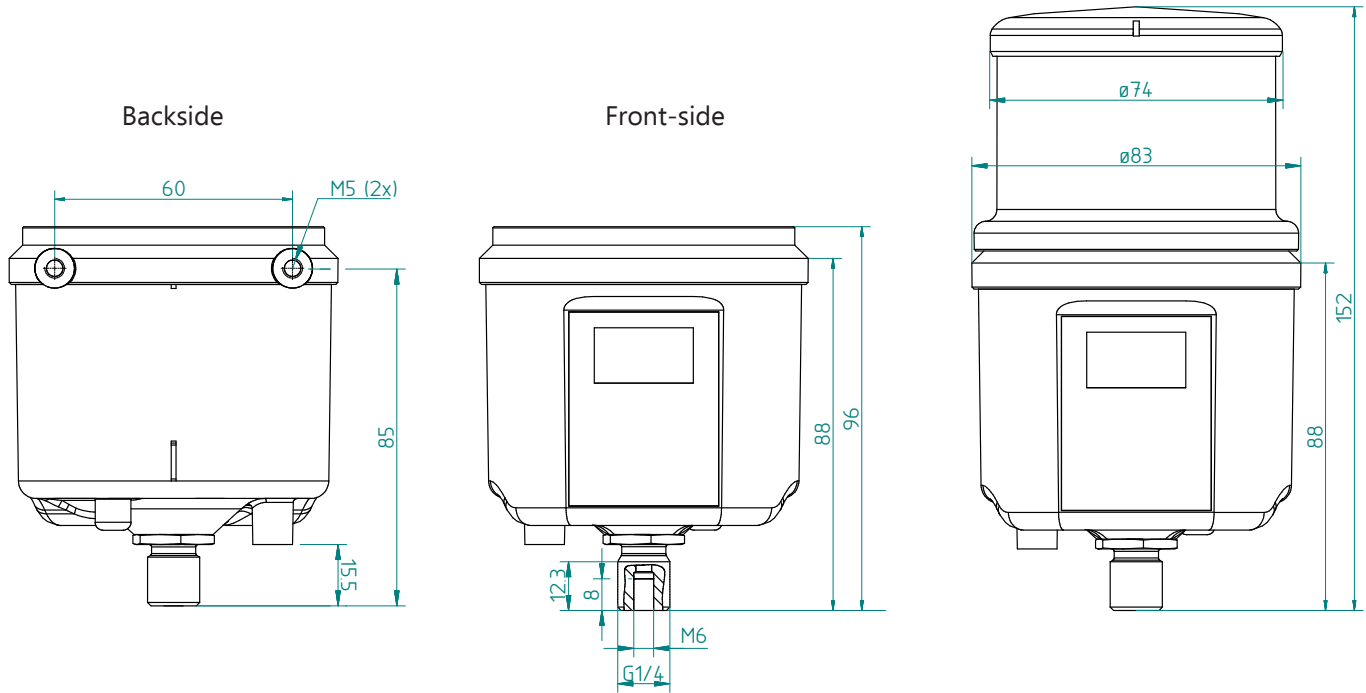
function:	piston pump
lubricant volume:	125 / 250 cc (in cartridge)
volume per stroke:	0.15 cc per outlet
number of pump strokes per cartridge 125 / 250 cc:	ca. 780 / 1560
operating pressure:	50 bar (725 PSI)
lubricant:	grease, up to NLGI class 2, solid particles possible
operating temperature:	-10°C ... +60°C
number of outlets:	1
thread outlet:	G1/4 (M), M6 (F)
operating voltage:	24 V DC (via cable)
connector:	M12 x 1, 4-pole
current consumption 24 V DC:	Imax. 350 mA
assembly:	Backside M5(i) (2x) or bottom M5(i) with G1/4"(a) or DLS accessories
mounting position:	vertical, cartridge up
control:	integrated microelectronic or external PLC (#135-125-210)
running-time:	1 to 36 months (time-controlled)
max. amount per cycle:	max. 1.50 cc
pressure monitoring:	integrated, electronic
level monitoring:	integrated, electronic
error message:	optical LCD and PLC
error acknowledgment:	(#135-125-210) PLC available
filling function:	
protection class:	IP 54
housing material:	PA 6.6-GF 30 / POM



## Ideal for single or combined relubrication of:

- + roller & ball bearings
- + racks / open gears
- + linear guides
- + ball swivel connector
- + ball screw

# FlexxPump 125 B



**Note on delivery:**

The FlexxPump 125 is primed with F02 grease upon delivery

Control	type	outlets	double-pump bodies	lubrication points	different lubrication amounts	part-no.
battery time-controlled	125 B	1	1	max 4* / 10**	1	135-125-000

\* when using distributors / splitter

\*\* when using distributors more lubrication points are possible!

Battery not included! Please order separately with part-no.: 134-002-25!

# Controlled minimum quantity lubrication for grease, battery operated

function:	piston pump
lubricant volume:	125 cc (in cartridge)
volume per stroke:	0.15 cc per outlet
number of pump strokes per cartridge 125 cc:	780
operating pressure:	35 bar (500 PSI)
lubricant:	up to NLGI class 2, solid particles possible
operating temperature:	-10°C ... +60°C
number of outlets:	1
thread outlet:	G1/4 (M) and M6 (F)
operating voltage:	4.5 V DC
assembly:	Backside M5(i) (2x) or bottom M5(i) with G1/4"(a) or DLS accessories
mounting position:	vertical, cartridge up
control:	integrated, microelectronic
running-time:	1 to 24 months
max. amount per cycle:	max. 1.50 cc
pressure monitoring:	integrated, electronic
level monitoring:	integrated, electronic
error message:	optical LCD
protection class:	IP 54
housing material:	PA 6.6-GF 30 / POM



**Ideal for single or combined  
relubrication of:**

- + roller & ball bearings
- + linear guides
- + ball screw
- + racks / open gears
- + ball swivel connector