

SRP SIZE 6



SRP6 - Jumbo

Weight

Efficiency

Backlash

Color

Ratio

Nominal output torque

Max. output torque

No load torque

No load torque

E-stop torque

Max. input speed

Nominal input speed

Max tilting moment

Tilting stiffness

Torsional stiffness

Torsional stiffness

Inertia

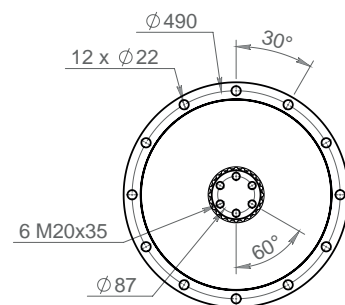
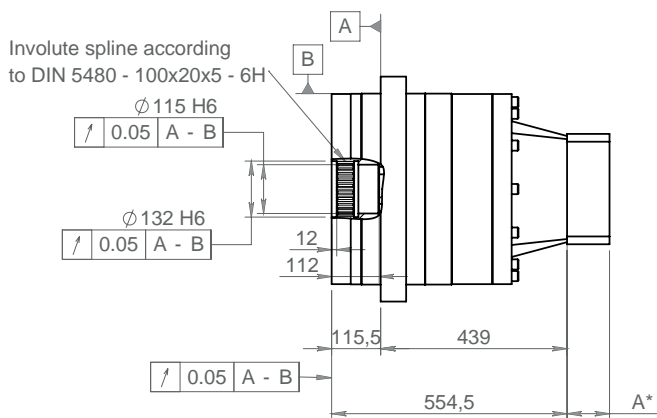
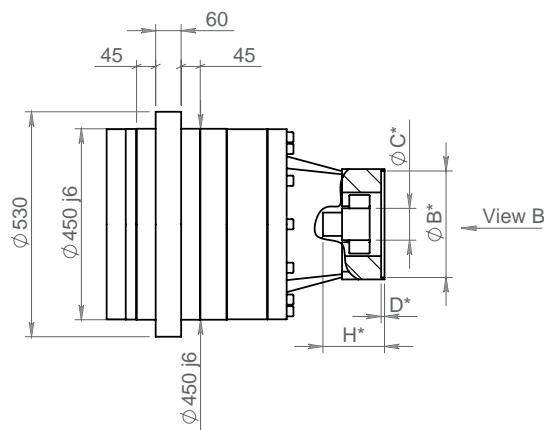
General data

			M	R
m	kg	1 Stage		
		2 Stages	510	635
η	%	1 Stage		
		2 Stages	93	91
J	arcmin	Standard	3	4
		Reduced	1	2
			RAL2012	

Technical features

		5	7	10	17	21	31	46	61	91
T2N	Nm					10700	14300	11050	8600	11050
T2B	Nm					16585	18590	17128	13330	17128
T01 +R	Nm					6,0	6,0	6,0	6,0	6,0
T01 +M	Nm					5,5	5,5	5,5	5,5	5,5
T2NOT	Nm					19060	19060	19060	19060	19060
n1B	rpm					3500	3500	3500	3500	3500
n1N	rpm					800	800	800	800	800
T2K	Nm					48000	48000	48000	48000	48000
C2K	Nm/ arcmin					39140	39140	39140	39140	39140
C2t +R	Nm/ rad					2475178	2471740	2289539	2444238	2382359
	Nm/arcmin					720	719	666	711	693
C2t +M	Nm/ rad					6517968	5923238	3781521	4469071	3279610
	Nm/arcmin					1896	1723	1100	1300	954
I +M	kg.mm ²					15566	12770	11391	9645	9279
I +R	kg.mm ²					47775	44978	43599	41881	41515

DIMENSIONS - TYPE M



	IFD 260 35/48	IFD 260 48/55	IFD 260 60/75
A	71	105	105
E	260	260	260
H	125	159	149

*B C D F G According to motor dimensions
Tapping depth = 1.5x0 thread

