

SRP *SIZE 5*



SRP5 - Jumbo

Weight

Efficiency

Backlash

Color

Ratio

Nominal output torque

Max. output torque

No load torque

No load torque

E-stop torque

Max. input speed

Nominal input speed

Max tilting moment

Tilting stiffness

Torsional stiffness

Torsional stiffness

Inertia

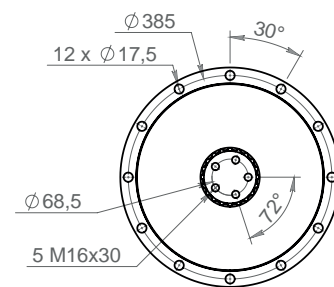
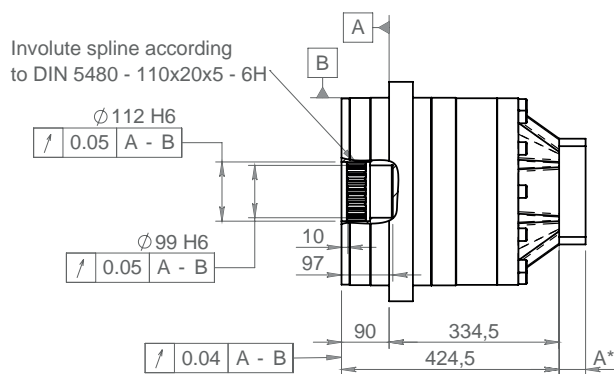
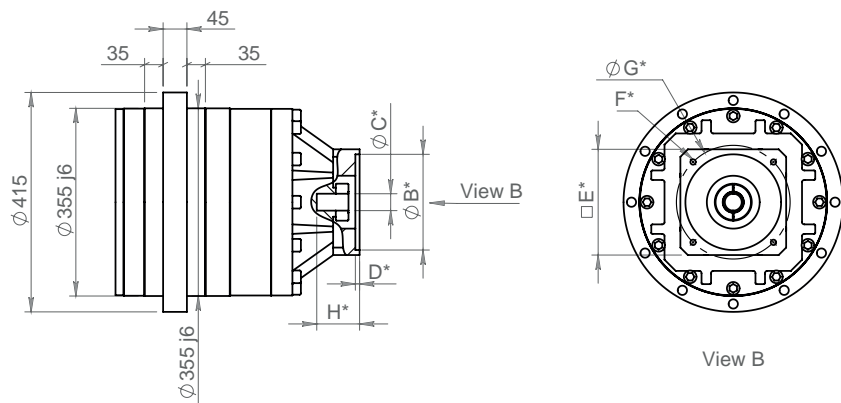
General data

			M	R
m	kg	1 Stage		
		2 Stages	238	530
η	%	1 Stage		
		2 Stages	93	91
J	arcmin	Standard	3	4
		Reduced	1	2
			RAL2012	

Technical features

		5	7	10	17	21	31	46	61	91
T2N	Nm					4700	6700	5500	5500	5500
T2B	Nm					7520	10050	8800	8800	8800
T01 +R	Nm					5,2	5,2	5,2	5,2	5,2
T01 +M	Nm					4,0	4,0	4,0	4,0	4,0
T2NOT	Nm					11500	11500	11500	11500	11500
n1B	rpm					4000	4000	4000	4000	4000
n1N	rpm					1000	1000	1000	1000	1000
T2K	Nm					30000	30000	30000	30000	30000
C2K	Nm/ arcmin					23900	23900	23900	23900	23900
C2t +R	Nm/ rad					1354472	1505733	1423227	1498858	1478231
	Nm/arcmin					394	438	414	436	430
C2t +M	Nm/ rad					4812845	4812845	3781521	4469071	3279610
	Nm/arcmin					1400	1400	1100	1300	954
I +M	kg.mm ²					3176	2323	1905	1259	1147
I +R	kg.mm ²					17900	17048	16629	15995	15884

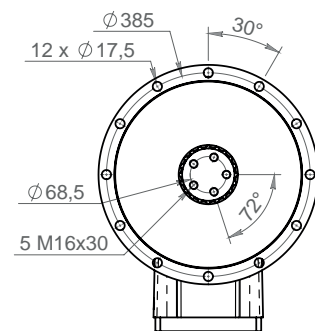
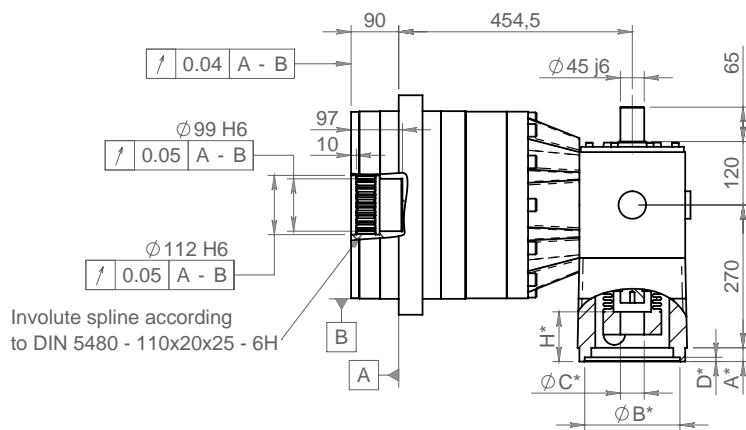
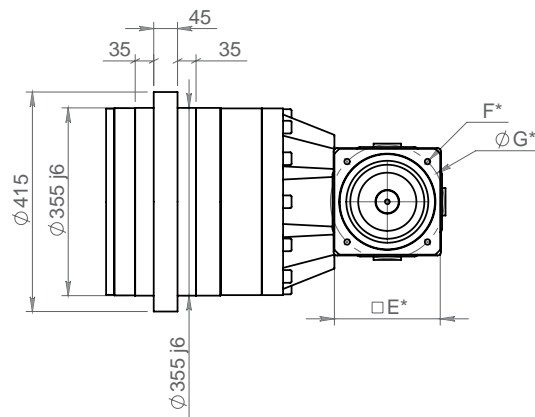
DIMENSIONS - TYPE M



	IFC 140 22/32	IFC 200 22/48	IFC 260 35/48
A	42	50	51
E	140	200	260
H	73	81	82

*B C D F G According to motor dimensions
Tapping depth = 1.5x0 thread

DIMENSIONS - TYPE R



	MF5 200	MF5 260
A	26	26
E	200	260
H	110	110

*B C D F G According to motor dimensions
Tapping depth = 1.5x0 thread

Dimensions and main data for information only - Please consult us and / or refer to Products Datasheets
For accurate selection, contact your local supplier