

# SRP *SIZE 4*



## SRP4

Weight

Efficiency

Backlash

Color

## Ratio

Nominal output torque

Max. output torque

No load torque

No load torque

E-stop torque

Max. input speed

Nominal input speed

Max tilting moment

Tilting stiffness

Torsional stiffness

Torsional stiffness

Inertia

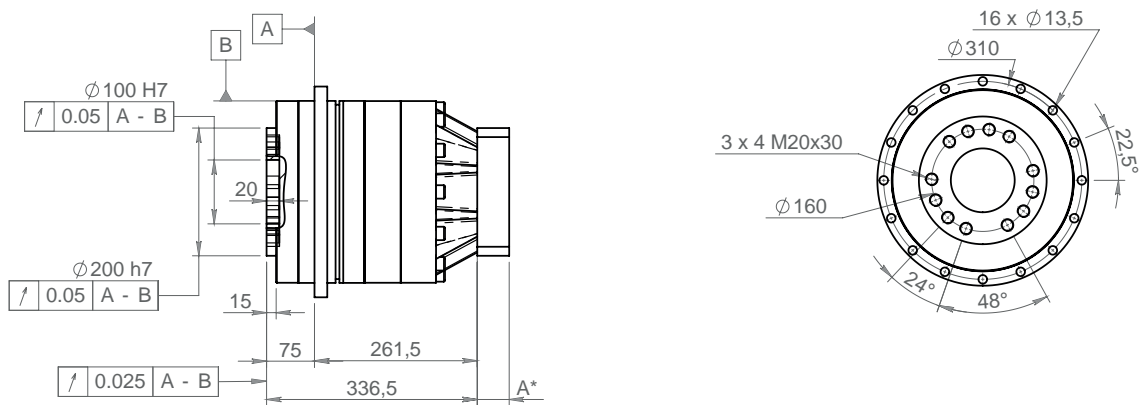
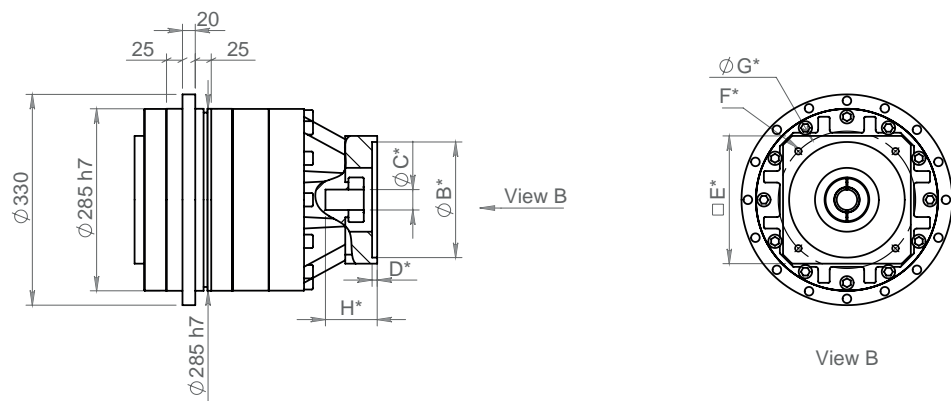
## General data

			<b>M</b>	<b>R</b>
<b>m</b>	kg	1 Stage		
		2 Stages	123	144
<b>η</b>	%	1 Stage		
		2 Stages	93	91
<b>J</b>	arcmin	Standard	3	4
		Reduced	1	2
			RAL2012	

## Technical features

		<b>5</b>	<b>7</b>	<b>10</b>	<b>17</b>	<b>21</b>	<b>31</b>	<b>46</b>	<b>61</b>	<b>91</b>
<b>T2N</b>	Nm				3500	3500	3600	2560	2840	2840
<b>T2B</b>	Nm				6125	6125	6300	4480	4970	4970
<b>T01 +R</b>	Nm				3,6	3,6	3,6	3,6	3,6	3,6
<b>T01 +M</b>	Nm				3	3	3	3	3	3
<b>T2NOT</b>	Nm				15000	15000	15000	15000	15000	15000
<b>n1B</b>	rpm				4000	4000	4000	4000	4000	4000
<b>n1N</b>	rpm				1300	1300	1300	1300	1300	1300
<b>T2K</b>	Nm				10100	10100	10100	10100	10100	10100
<b>C2K</b>	Nm/ arcmin				8700	8700	8700	8700	8700	8700
<b>C2t +R</b>	Nm/ rad					2475178	2471740	2289539	2444238	2382359
	Nm/arcmin					720	719	666	711	693
<b>C2t +M</b>	Nm/ rad				2681442	2681442	2681442	2468302	3025217	2471740
	Nm/arcmin				780	780	780	718	880	719
<b>I +M</b>	kg.mm <sup>2</sup>				3665	2395	1954	1732	1163	1103
<b>I +R</b>	kg.mm <sup>2</sup>					10936	8046	7824	7282	7222

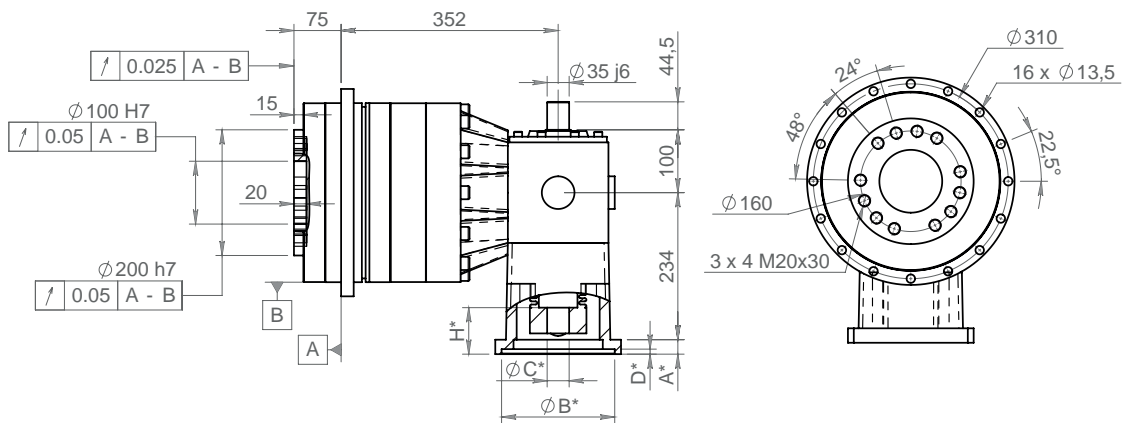
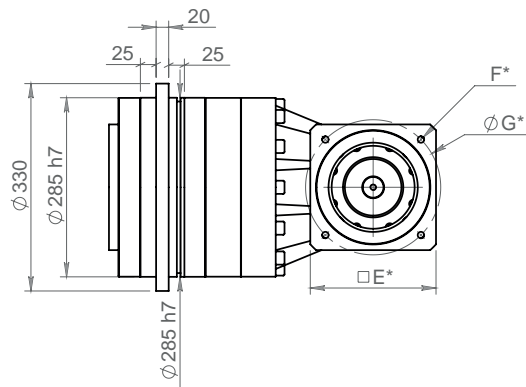
## DIMENSIONS - TYPE M



	IFC 140 22/32	IFC 200 22/48	IFC 260 35/48
<b>A</b>	42	50	51
<b>E</b>	140	200	260
<b>H</b>	73	81	82

\*B C D F G According to motor dimensions  
Tapping depth = 1.5x0 thread

# DIMENSIONS - TYPE R



	MF4 200	MF4 260
<b>A</b>	23	23
<b>E</b>	200	260
<b>H</b>	110	110

\*B C D F G According to motor dimensions  
Tapping depth = 1.5x0 thread

Dimensions and main data for information only - Please consult us and / or refer to Products Datasheets  
For accurate selection, contact your local supplier