

SRP *SIZE 3*



SRP3

Weight

Efficiency

Backlash

Color

Ratio

Nominal output torque

Max. output torque

No load torque

No load torque

E-stop torque

Max. input speed

Nominal input speed

Max tilting moment

Tilting stiffness

Torsional stiffness

Torsional stiffness

Inertia

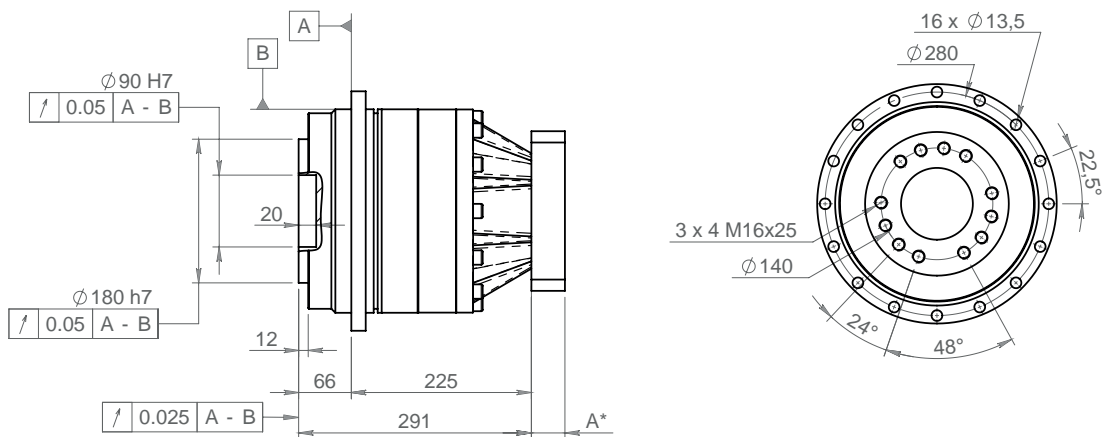
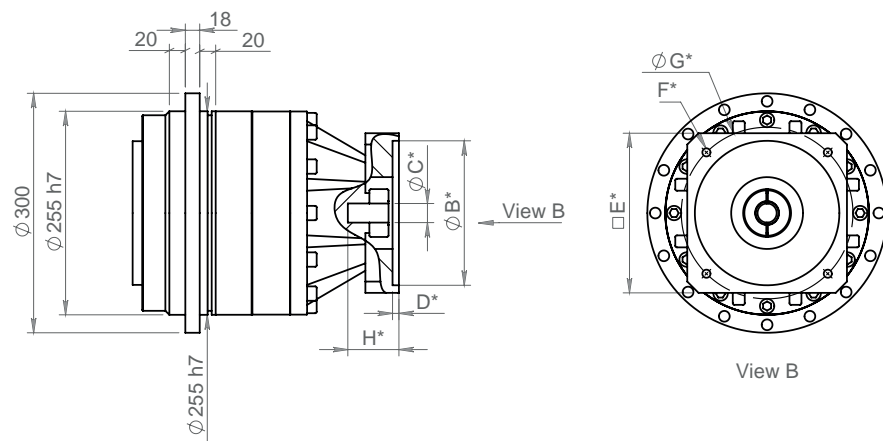
General data

			M	R
m	kg	1 Stage		
		2 Stages	76	83,5
η	%	1 Stage		
		2 Stages	93	91
J	arcmin	Standard	3	4
		Reduced	1	2
RAL2012				

Technical features

		5	7	10	17	21	31	46	61	91
T2N	Nm				1850	1500	2200	1410	1540	1540
T2B	Nm				3238	2625	3850	2468	2695	2695
T01 +R	Nm				2,8	2,8	2,8	2,8	2,8	2,8
T01 +M	Nm				2,5	2,5	2,5	2,5	2,5	2,5
T2NOT	Nm				8750	8750	8750	8750	8750	8750
n1B	rpm				5000	5000	5000	5000	5000	5000
n1N	rpm				1600	1600	1600	1600	1600	1600
T2K	Nm				6790	6790	6790	6790	6790	6790
C2K	Nm/ arcmin				6500	6500	6500	6500	6500	6500
C2t +R	Nm/ rad					1354472	1505733	1423227	1498858	1478231
	Nm/arcmin					394	438	414	436	430
C2t +M	Nm/ rad				1787628	1787628	1663869	1588239	1512609	1753251
	Nm/arcmin				520	520	484	462	440	510
I +M	kg.mm ²				1382	1086	888	792	677	652
I +R	kg.mm ²					2644	2445	2349	2235	2209

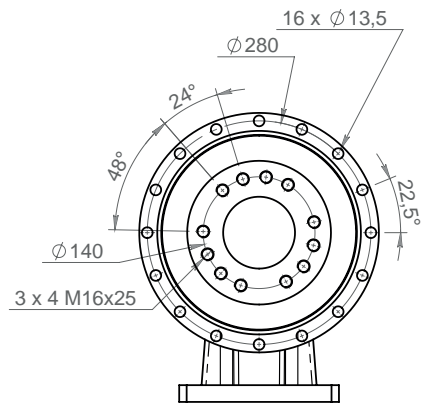
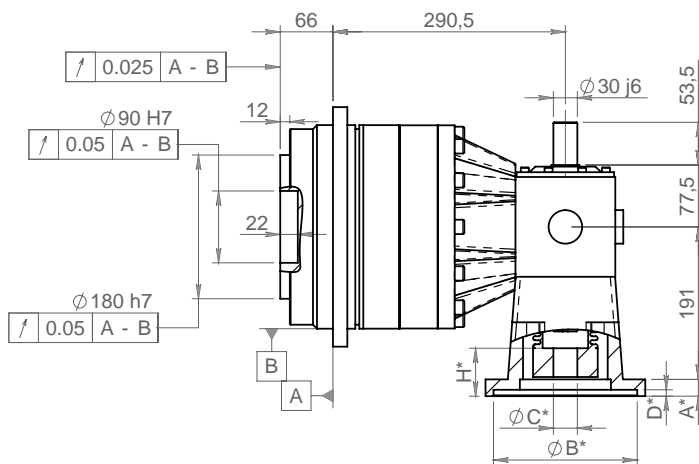
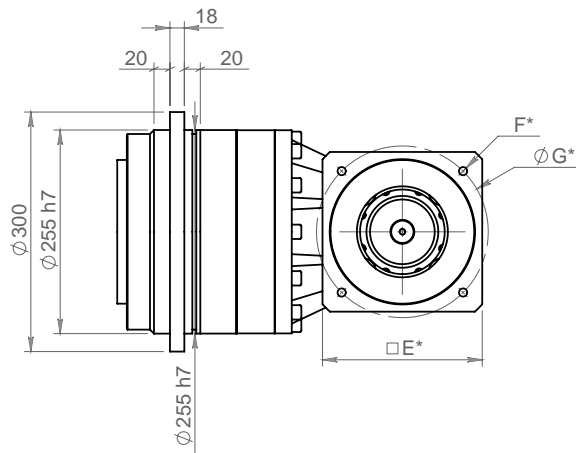
DIMENSIONS - TYPE M



	IFB 140 14/24	IFB 140 28/38	IFB 200 28/38	IFB 260 28/38
A	37	42	57	64
E	140	140	200	260
H	59	65	80	87

*B C D F G According to motor dimensions
Tapping depth = 1.5x0 thread

DIMENSIONS - TYPE R



	MF3 140	MF3 200	MF3 260
A	21	21	24
E	140	200	260
H	80	80	83

*B C D F G According to motor dimensions
Tapping depth = 1.5x0 thread

Dimensions and main data for information only - Please consult us and / or refer to Products Datasheets
For accurate selection, contact your local supplier