

SRP *SIZE 2*



SRP2

Weight

Efficiency

Backlash

Color

Ratio

Nominal output torque

Max. output torque

No load torque

No load torque

E-stop torque

Max. input speed

Nominal input speed

Max tilting moment

Tilting stiffness

Torsional stiffness

Torsional stiffness

Inertia

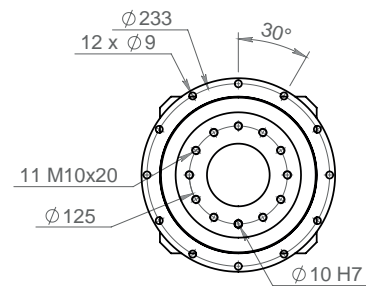
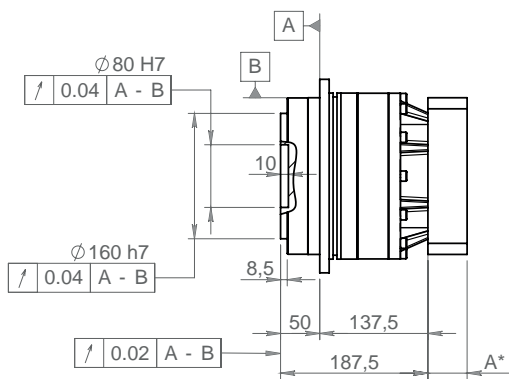
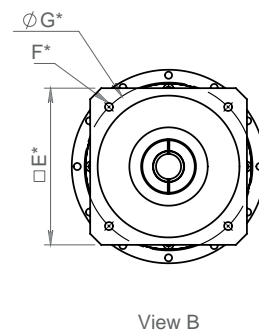
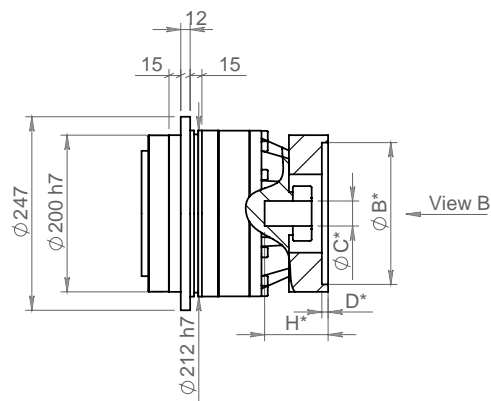
General data

			M	R
m	kg	1 Stage	33,7	41,2
		2 Stages	35,7	40,2
η	%	1 Stage	96	94
		2 Stages	93	91
J	arcmin	Standard	3	4
		Reduced	1	2
RAL2012				

Technical features

		5	7	10	17	21	31	46	61	91
T2N	Nm	1000	1000	800	1050	800	1200	800	1150	800
T2B	Nm	1750	1750	1400	1838	1400	2100	1400	2013	1400
T01 +R	Nm	8,8	8,8	8,8	2,3	2,3	2,3	2,3	2,3	2,3
T01 +M	Nm	8	8	8	2	2	2	2	2	2
T2NOT	Nm	2750	2750	2750	2750	2750	2750	2750	2750	2750
n1B	rpm	4000	4000	4000	6000	6000	6000	6000	6000	6000
n1N	rpm	1100	1100	1100	2100	2100	2100	2100	2100	2100
T2K	Nm	3520	3520	3520	3520	3520	3520	3520	3520	3520
C2K	Nm/ arcmin	1900	1900	1900	1900	1900	1900	1900	1900	1900
C2t +R	Nm/ rad	1038200	928192	749429		677236	794120	794120	866312	804433
	Nm/arcmin	302	270	218		197	231	231	252	234
C2t +M	Nm/ rad	1220400	1100079	886939	814746	814746	904127	825059	883501	807870
	Nm/arcmin	355	320	258	237	237	263	240	257	235
I +M	kg.mm ²	3254	2095	1482	876	761	681	642	601	590
I +R	kg.mm ²	11796	10664	7601		1361	1281	1242	1200	1190

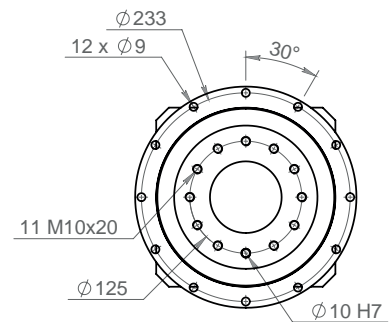
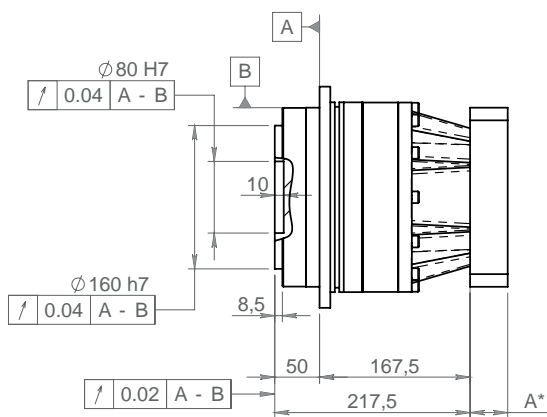
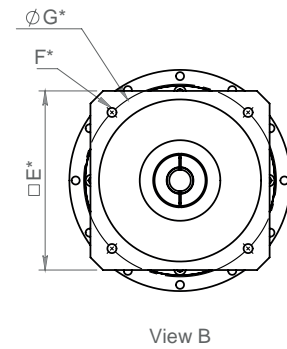
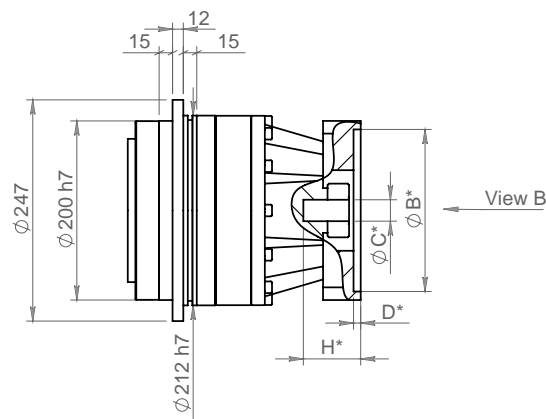
DIMENSIONS - TYPE M 1 stage



	IFC 140 22/32	IFC 200 22/48	IFC 260 35/48
A	42	50	51
E	140	200	260
H	73	81	82

*B C D F G According to motor dimensions
Tapping depth = 1.5x0 thread

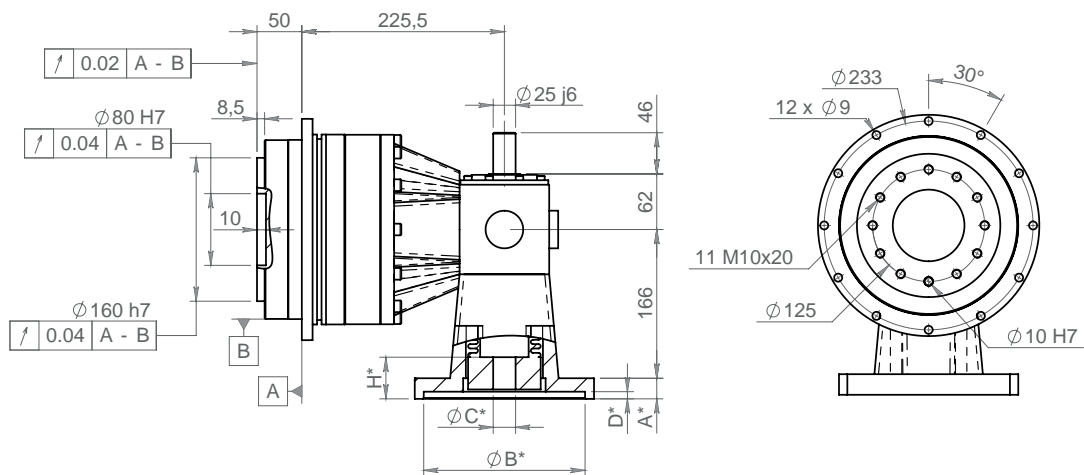
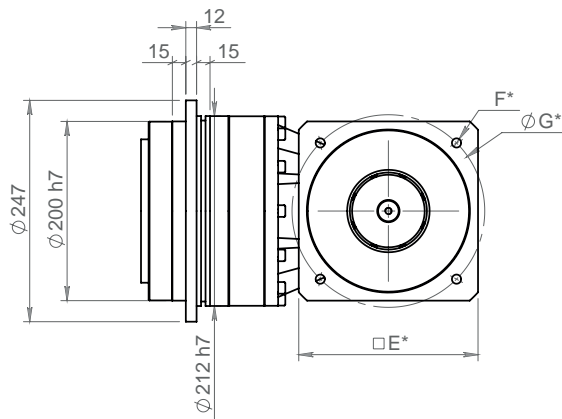
DIMENSIONS - TYPE M 2 stages



	IFB 140 14/24	IFB 140 28/38	IFB 200 28/38	IFB 260 28/38
A	37	42	57	64
E	140	140	200	260
H	59	65	80	87

*B C D F G According to motor dimensions
Tapping depth = 1.5x0 thread

DIMENSIONS - TYPE R 2 stages



	MF2 140	MF2 200
A	23	23
E	140	200
H	80	80

*B C D F G According to motor dimensions
Tapping depth = 1.5x0 thread

Dimensions and main data for information only - Please consult us and / or refer to Products Datasheets
For accurate selection, contact your local supplier