

SRP *SIZE 0*



SRP0

Weight

Efficiency

Backlash

Color

Ratio

Nominal output torque

Max. output torque

No load torque

No load torque

E-stop torque

Max. input speed

Nominal input speed

Max tilting moment

Tilting stiffness

Torsional stiffness

Torsional stiffness

Inertia

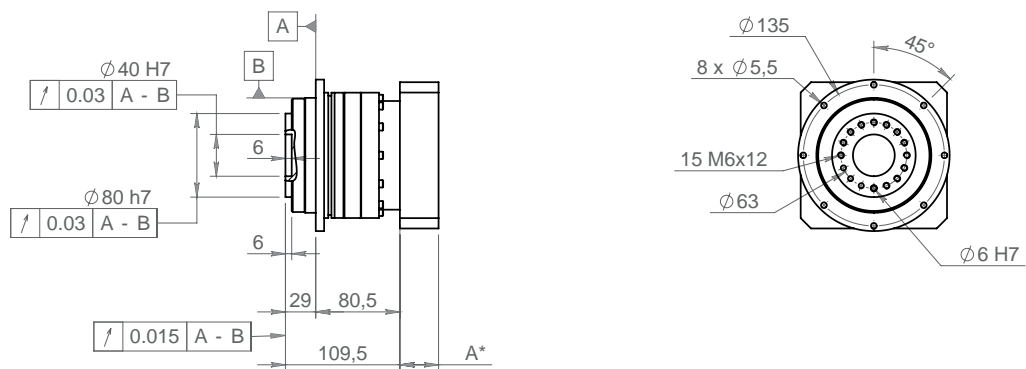
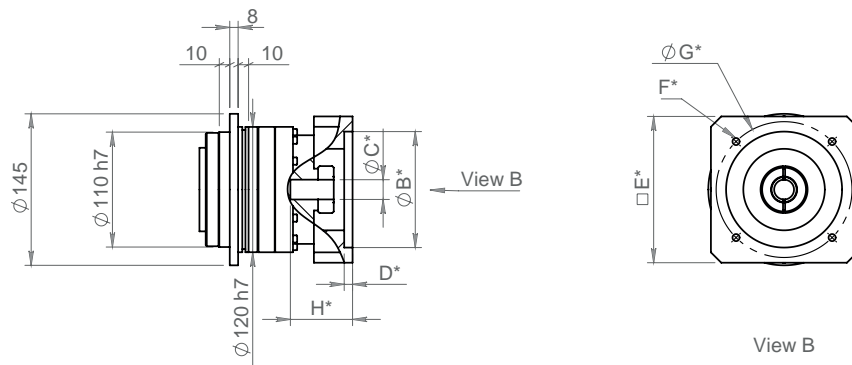
General data

			M	R
m	kg	1 Stage	6,8	11,3
		2 Stages		
η	%	1 Stage	96	94
		2 Stages		
J	arcmin	Standard	3	4
		Reduced	1	2
			RAL2012	

SRP Ratings

		5	7	10	17	21	31	46	61	91
T2N	Nm	200	200	200						
T2B	Nm	350	350	350						
T01 +R	Nm	2,5	2,5	2,5						
T01 +M	Nm	2	2	2						
T2NOT	Nm	625	625	625						
n1B	rpm	6000	6000	6000						
n1N	rpm	2000	2000	2000						
T2K	Nm	433	433	433						
C2K	Nm/ arcmin	576	576	576						
C2t +R	Nm/ rad	137510	120321	106570						
	Nm/arcmin	40	35	31						
C2t +M	Nm/ rad	189076	168450	137510						
	Nm/arcmin	55	49	40						
I +M	kg.mm ²	354	306	278						
I +R	kg.mm ²	1279	1231	1206						

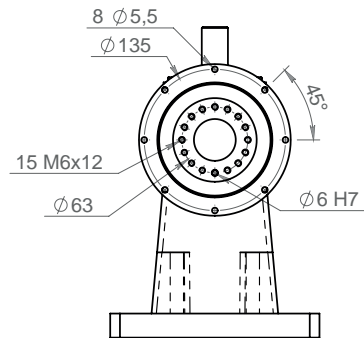
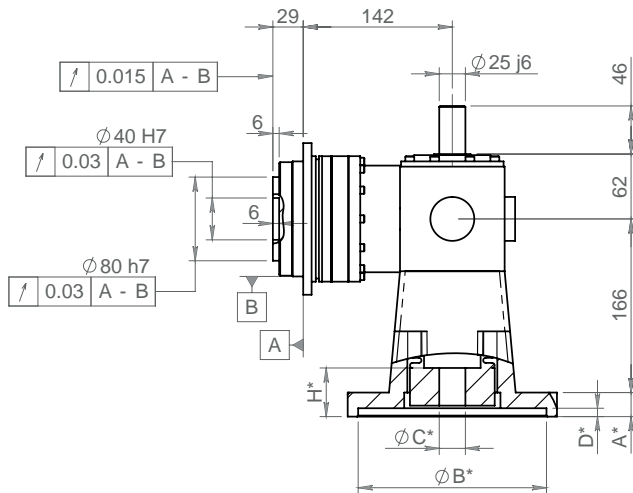
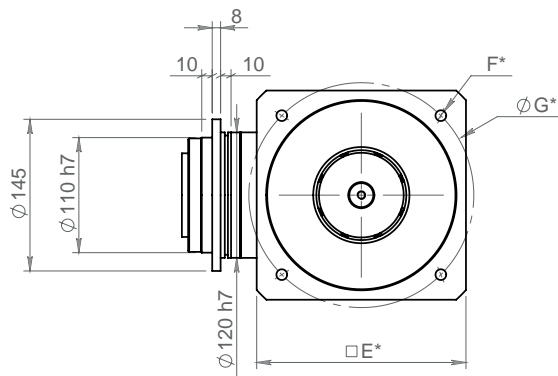
DIMENSIONS - TYPE M



	IFA 100 11/19	IFA 140 11/19	IFA 140 22/32	IFA200 22/32
A	27	27	37	42
E	100	140	140	200
H	49	49	59	64

*B C D F G According to motor dimensions
Tapping depth = 1.5x0 thread

DIMENSIONS - TYPE R



	MF2 140	MF2 200
A	23	23
E	140	200
H	80	80

*B C D F G According to motor dimensions
Tapping depth = 1.5x0 thread

Dimensions and main data for information only - Please consult us and / or refer to Products Datasheets
For accurate selection, contact your local supplier