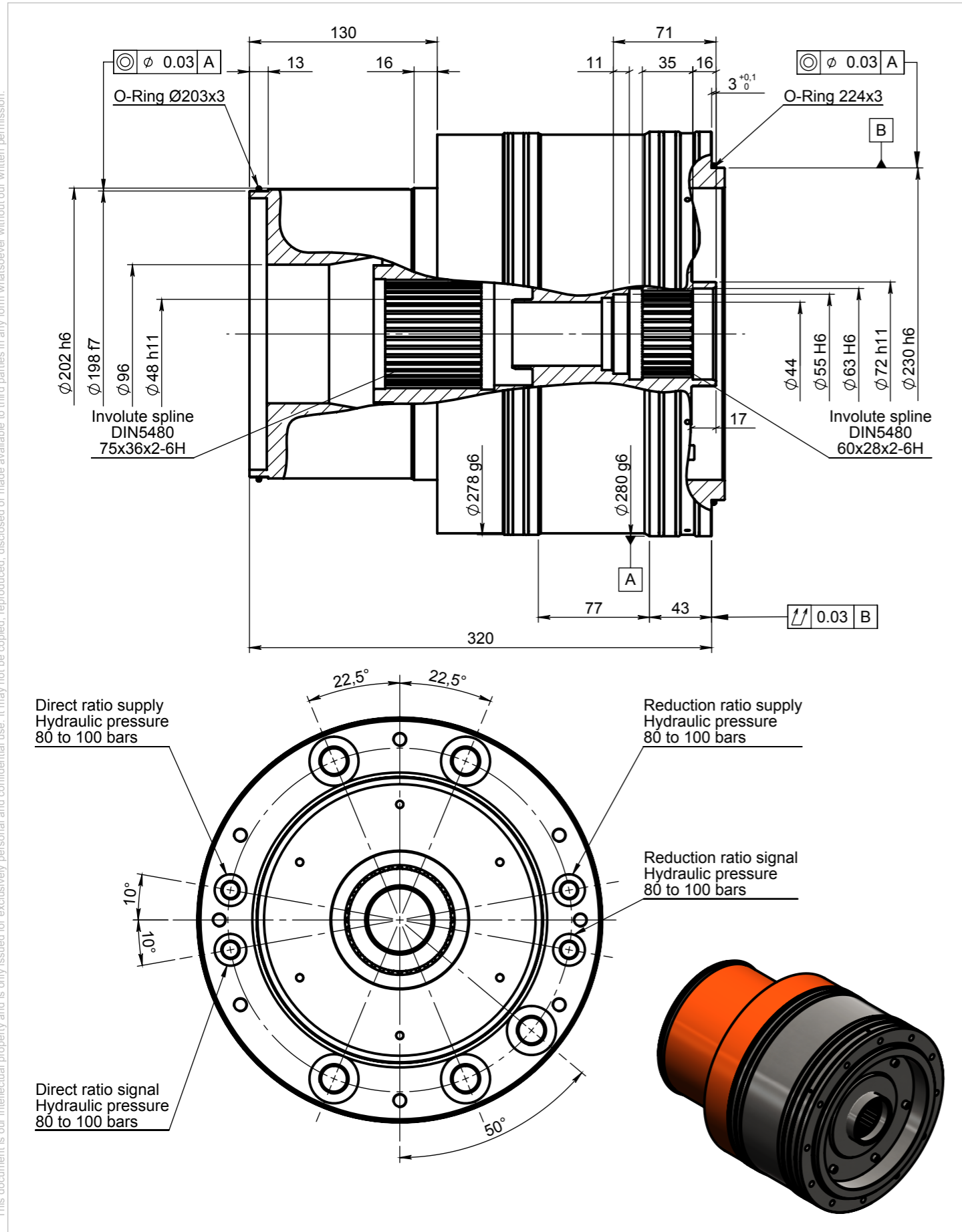


OUTLINE DIMENSIONS



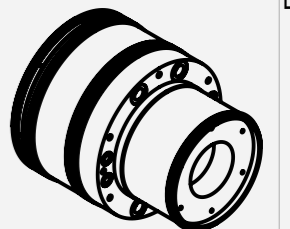
TECHNICAL FEATURES

PERFORMANCES

Unit codification		RAM280HiT
i1 High speed ratio		1,00
i2 Low speed ratio		5,00
T2B6 Maximum output torque (S6-40%)	Nm	4400
T2N1 Nominal output torque (S1-100%)	Nm	3000
n1B Maximum input speed	RPM	7000
n1N Nominal input speed	RPM	1500
OD External diameter	mm	280
ID Internal diameter	mm	44
li Input interfaces	mm	60x28x2-6H
lo Output interfaces	mm	75x36x2-6H
jt Backlash	arcmin	15
J1h Inertia @ input (high speed ratio)	Kg.mm²	11300
J1l Inertia @ input (low speed ratio)	Kg.mm²	8600
η Efficiency at rated input speed	%	97
Of Oil flow rate (input)	L/min	3 (1,5 - 6 bars)

ADDITIONAL FEATURES

- Paint RAL 2002
- All mounting positions possible, including swivelling mode (-150/+150°)
- Speed changer:
Pneumatic or hydraulic actuator – 2 positions
Pressure supply for gear change: 80 to 100 bar
Signal of gear changed: 80 to 100 bar
- Dry sump lubrication with synthetic PAO oil 10 to 32 cSt @ 40°C
- Cooling: oil or water



This document is our intellectual property and is only issued for exclusively personal and confidential use. It may not be copied, reproduced, disclosed or made available to third parties in any form whatsoever without our written permission.