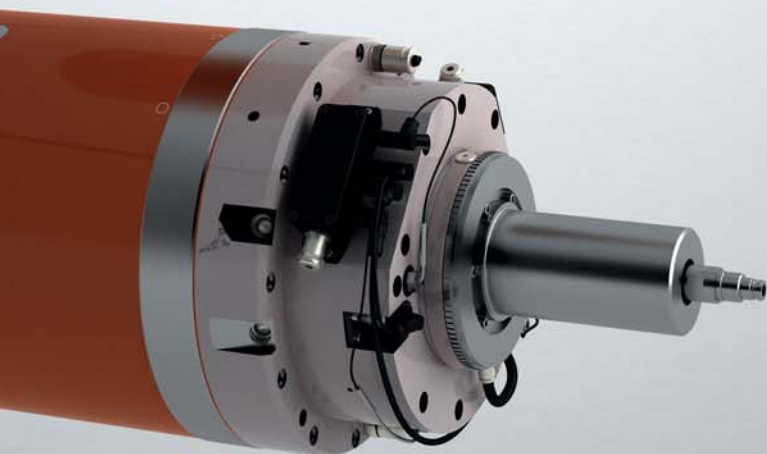
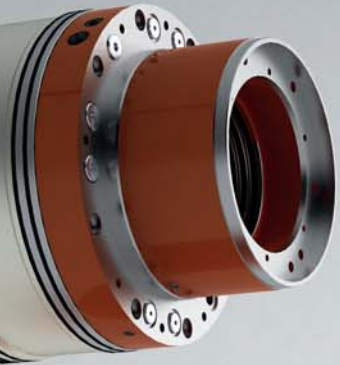


# RAM *SIZE 190*



Speed	<b>N1B</b>	<b>[rpm]</b>
Power	<b>P</b>	<b>[kW]</b>
Torque	<b>T2N</b>	<b>[Nm]</b>

Speed	<b>N1B</b>	<b>[rpm]</b>
Power	<b>P</b>	<b>[kW]</b>
Torque	<b>T2N</b>	<b>[Nm]</b>

Mounting position

Control

Interface

Cooling/Flow rate **[l/mn]**

Cooling/Loss power **[kW]**

Bearings lubrication

Lubrication/Flow rate **[l/mn]**

Lubrication/Loss power **[kW]**

Speed shifting/Pressure **[bar]**

Speed shifting/Flow rate **[l/mn]**

RAM design for external forced lubrication

Gearbox only

Gearbox + Cooling Jacket

Gearbox + Cooling Jacket  
+ output shaft arrangement

## S1 - 100%

		Gear 1:1		Gear 5:1	
		1500	12000	300	2400
		25.6	25.6	24.8	24.8
		163	20	790	99



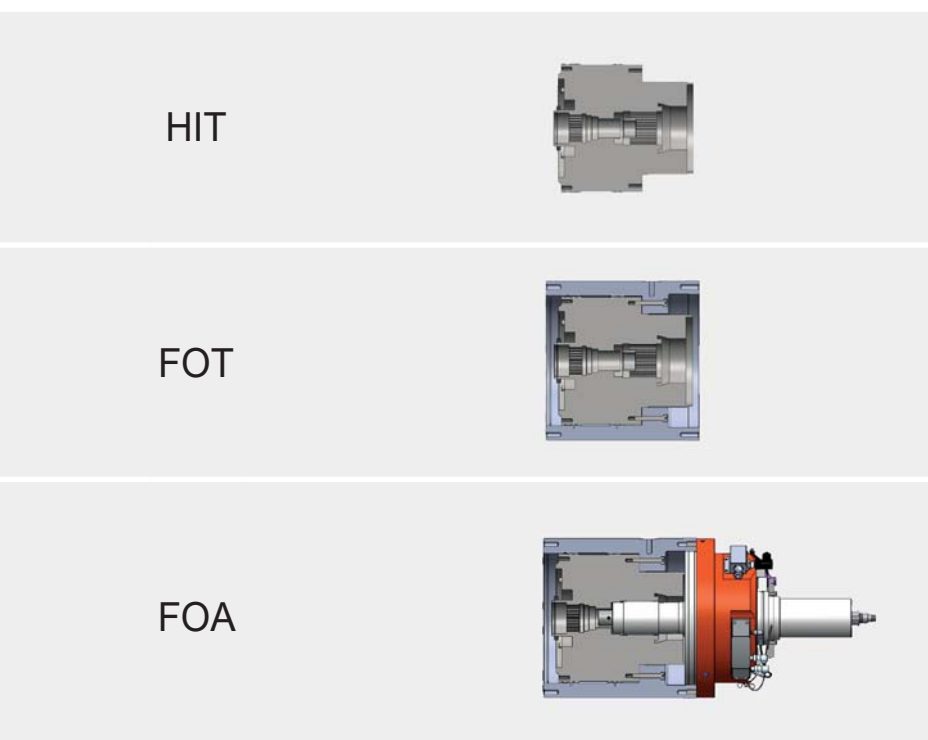
## S6 - 40%

		Gear 1:1		Gear 5:1	
		1500	12000	300	2400
		35.6	35.6	34.5	34.5
		227	28	1100	137

## Technical Features

Vertical, horizontal and Swiveling
Siemens/Fanuc/Heidenhain
Internal splines
25
0.77
Grease
1.5
0.46
50 to 100
5 to 7

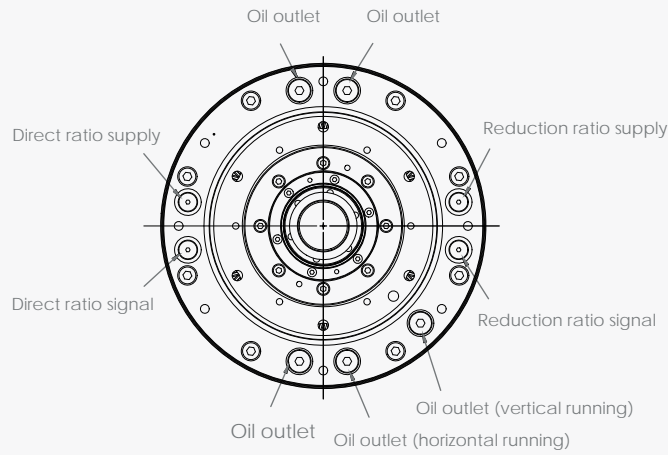
## Interface



## DIMENSIONS

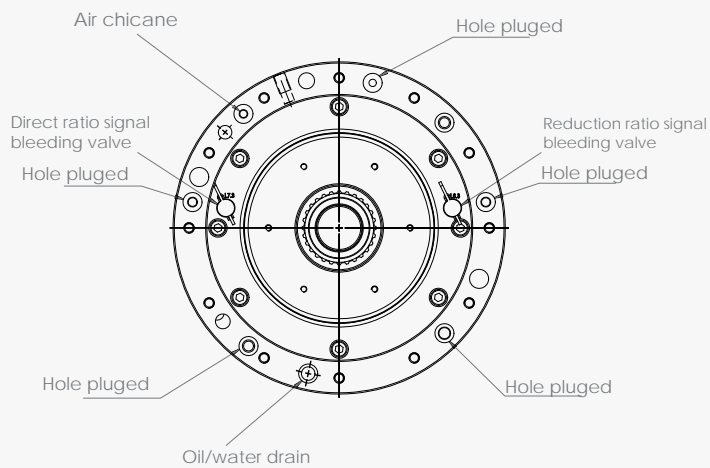
HIT

### A View



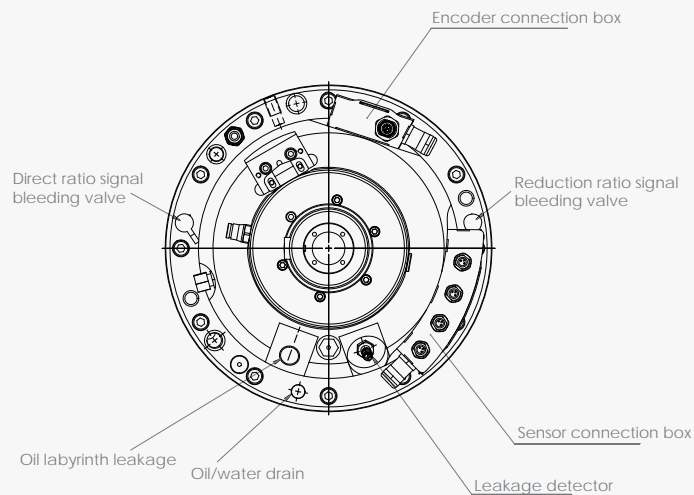
FOT

### B View



FOA

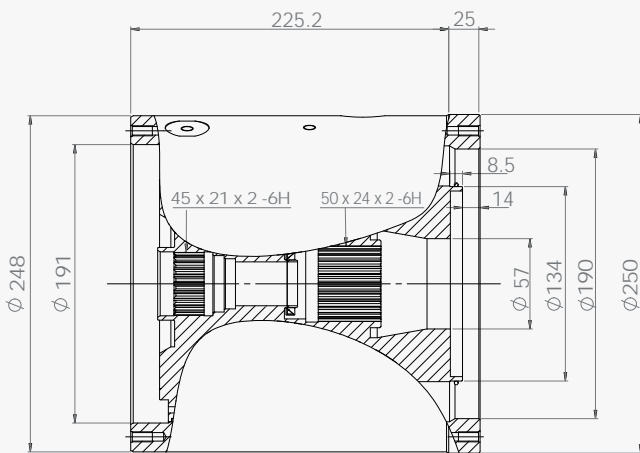
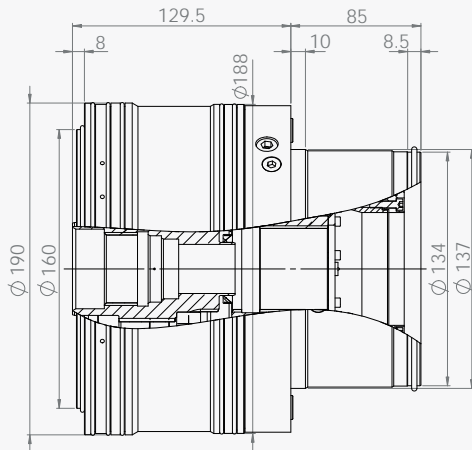
### C View



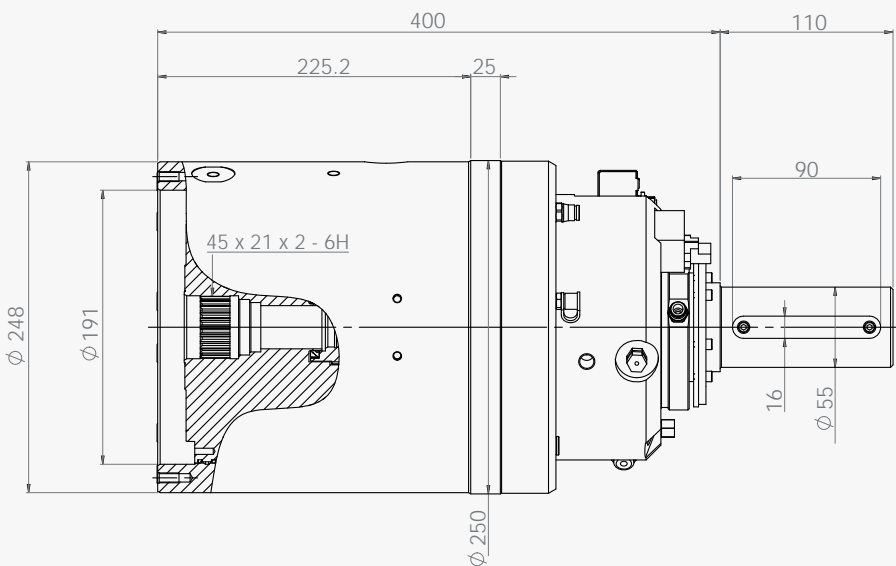
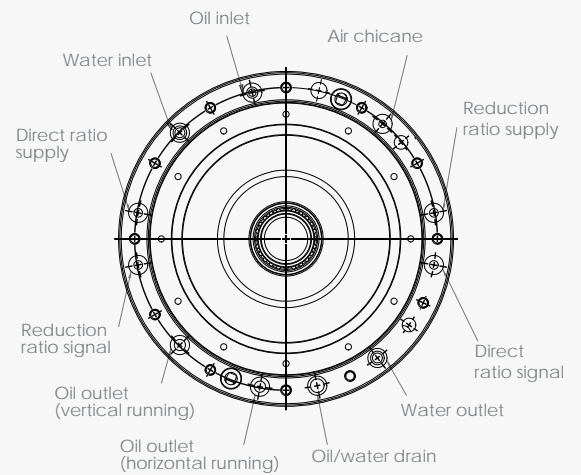
# DIMENSIONS

GM 800 

RAM 190 



## D View



# ANDANTEX USA Inc.

1705 Valley Road,  
Wanamassa, NJ 07712  
800-713-6170  
Fax 732-493-2949  
E-mail [info@andantex.com](mailto:info@andantex.com)  
**[WWW.ANDANTEX.COM](http://WWW.ANDANTEX.COM)**