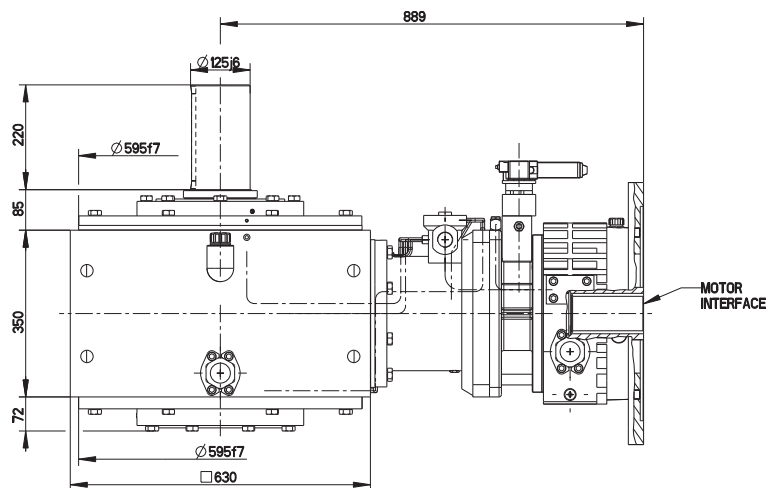
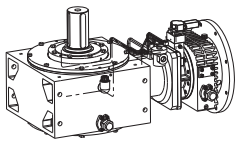


Turnkey Turntable Drive Solution

MSR 660



Dimensions and main data for information only, please refer to Product Datasheet

			Plain Shaft
MODEL			MSR 666
High speed ratio	i1	-	3.00
Low speed ratio	i2	-	11.49
Rated output torque	T2N	[Nm]	12000
Max. input speed	N1B	[rpm]	3500
Efficiency	η	[%]	95
Weight	m	[kg]	1400

REDEX