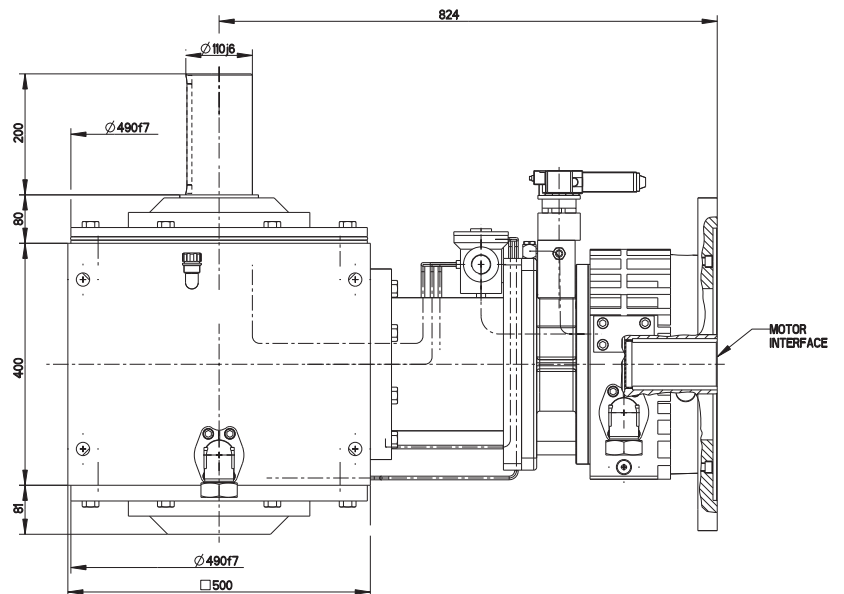
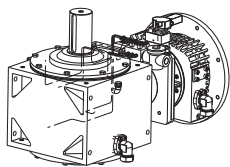


Turnkey Turntable Drive Solution

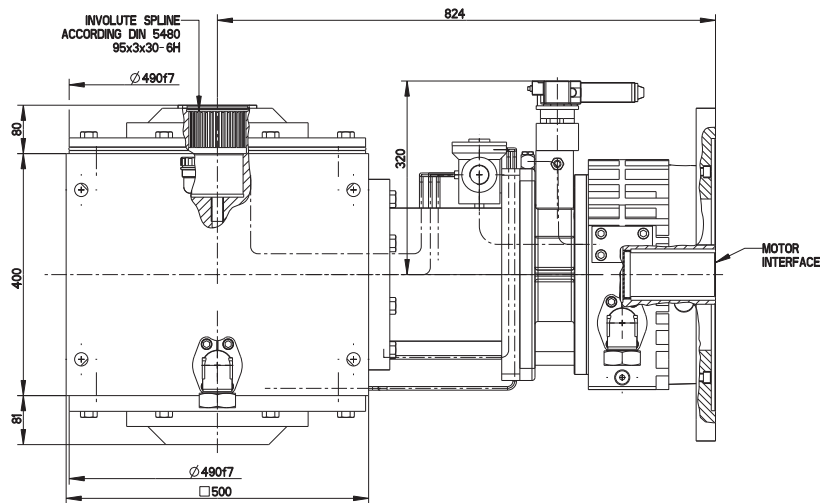
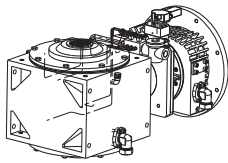
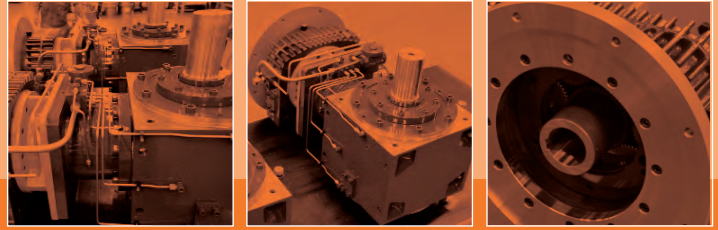
MSR 650



Dimensions and main data for information only, please refer to Product Datasheet

MODEL	Plain Shaft			
			MSR 654	MSR 656
High speed ratio	i1	-	2.26	2.26
Low speed ratio	i2	-	11.16	8.66
Rated output torque	T2N	[Nm]	6600	9000
Max. input speed	N1B	[rpm]	4500	4500
Efficiency	η	[%]	95	95
Weight	m	[kg]	750	750

REDEX



Dimensions and main data for information only, please refer to Product Datasheet

MODEL	Hollow Shaft			
High speed ratio	i1	-	2.26	2.26
Low speed ratio	i2	-	11.16	8.66
Rated output torque	T2N	[Nm]	6600	9000
Max. input speed	N1B	[rpm]	4500	4500
Efficiency	η	[%]	95	95
Weight	m	[kg]	740	740