

# MSR *SIZE 650*



## PERFORMANCES

Unit codification

High speed ratio

Low speed ratio

Ratio code

Nominal output torque (S1-100%)

Maximum input speed

Inertia @ input (high speed ratio)

Inertia @ input (low speed ratio)

Efficiency at rated input speed

Weight

Max radial load output  
(@131rpm output, in the middle of the shaft)

## PERFORMANCES

Unit codification

High speed ratio

Low speed ratio

Ratio code

Nominal output torque (S1-100%)

Maximum input speed

Inertia @ input (high speed ratio)

Inertia @ input (low speed ratio)

Efficiency at rated input speed

Weight

Max radial load output  
(@131rpm output, in the middle of the shaft)

Paint RAL 2002 & RAL 7016

Speed changer: voltage 24V DC,  
switching current 200mA at 70°C, cable length 5m

Key ways following NFE 22.175

Motor must follow DIN 42955 class R

Oil inlet interface

Oil flow rate (input pressure)

Oil outlet interface

## Technical Features

MSR 654		
<b>i1</b>		2.26
<b>i2</b>		11.16
<b>i</b>		2211
<b>T2N</b>	<b>[Nm]</b>	6600
<b>N1B</b>	<b>[rpm]</b>	4500
<b>J1h</b>	<b>[Kg.mm<sup>2</sup>]</b>	307000
<b>J1l</b>	<b>[Kg.mm<sup>2</sup>]</b>	44000
<b>η</b>	<b>%</b>	94
<b>m</b>	<b>[kg]</b>	750
<b>Fr</b>	<b>[N]</b>	75000

## Technical Features

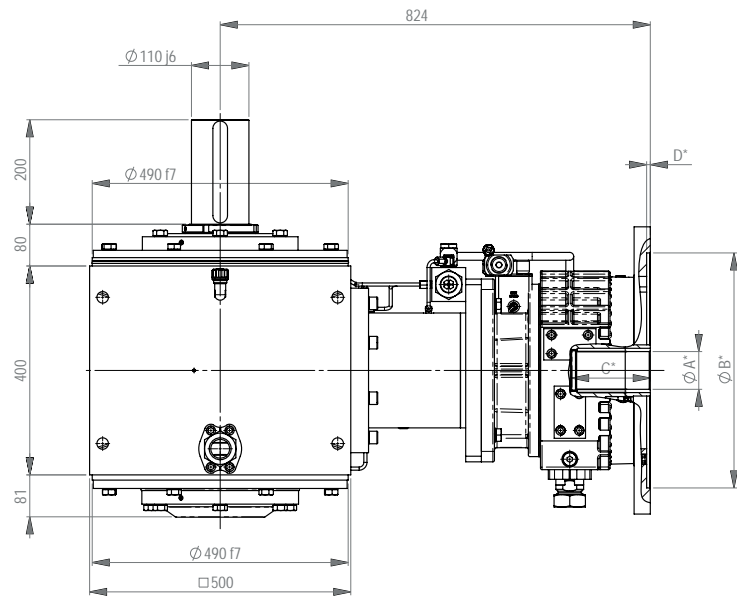
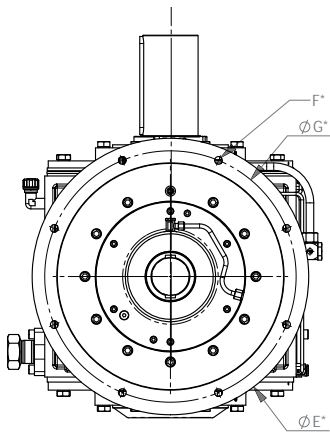
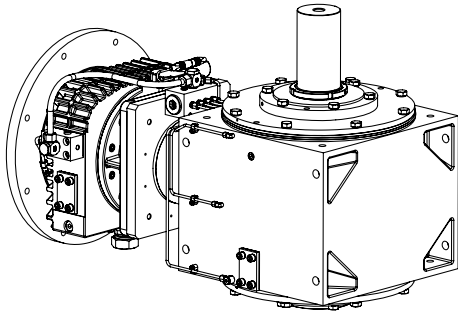
MSR 656		
<b>i1</b>		2.26
<b>i2</b>		8.66
<b>i</b>		2286
<b>T2N</b>	<b>[Nm]</b>	9000
<b>N1B</b>	<b>[rpm]</b>	4500
<b>J1h</b>	<b>[Kg.mm<sup>2</sup>]</b>	317000
<b>J1l</b>	<b>[Kg.mm<sup>2</sup>]</b>	60000
<b>η</b>	<b>%</b>	94
<b>m</b>	<b>[kg]</b>	750
<b>Fr</b>	<b>[N]</b>	75000

## Additional Features

<b>Oi</b>		1"G
<b>Of</b>	<b>L/min</b>	18 (1,5 - 6 bars)
<b>Oo</b>		Tube 42mm

## DIMENSIONS

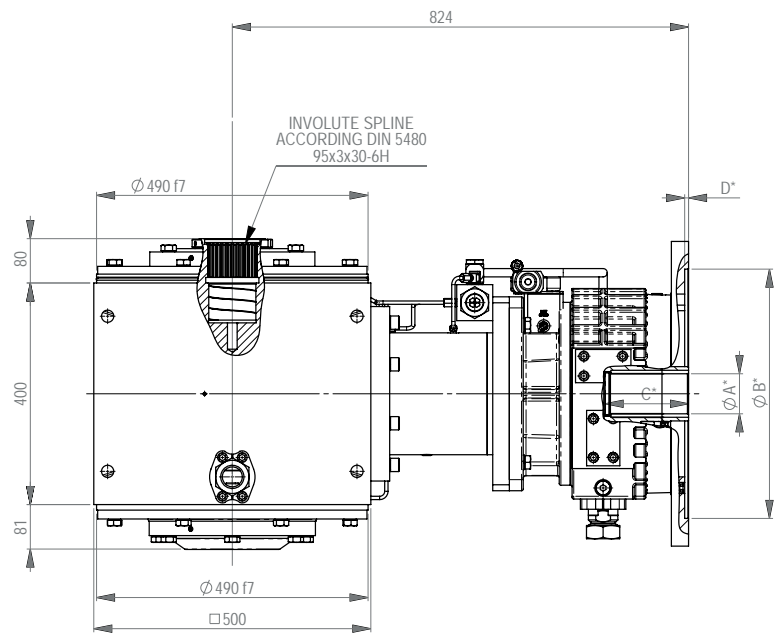
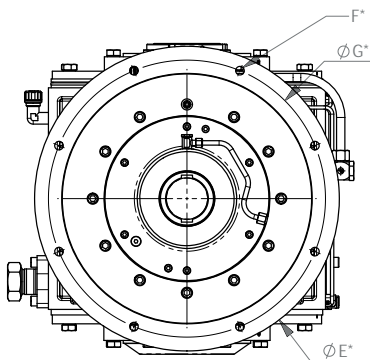
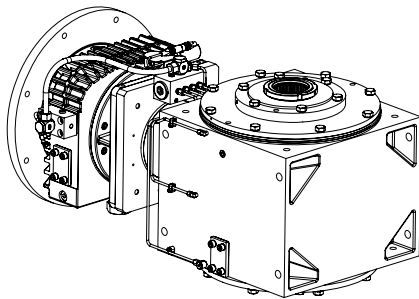
INPUT - TYPE A/F  
OUTPUT - TYPE D



\* A B C D E F G According to motor dimensions

# DIMENSIONS

INPUT - TYPE A/F  
OUTPUT - TYPE H



\* A B C D E F G According to motor dimensions

# ANDANTEX USA Inc.

1705 Valley Road,  
Wanamassa, NJ 07712  
800-713-6170  
Fax 732-493-2949  
E-mail [info@andantex.com](mailto:info@andantex.com)  
**[WWW.ANDANTEX.COM](http://WWW.ANDANTEX.COM)**