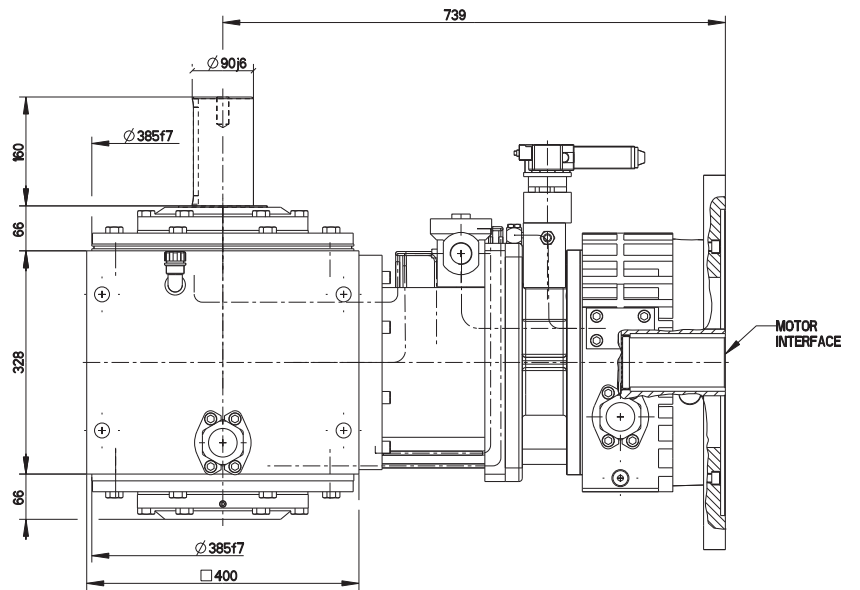
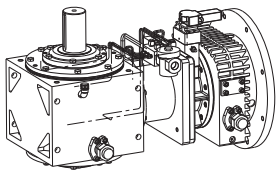


Turnkey Turntable Drive Solution

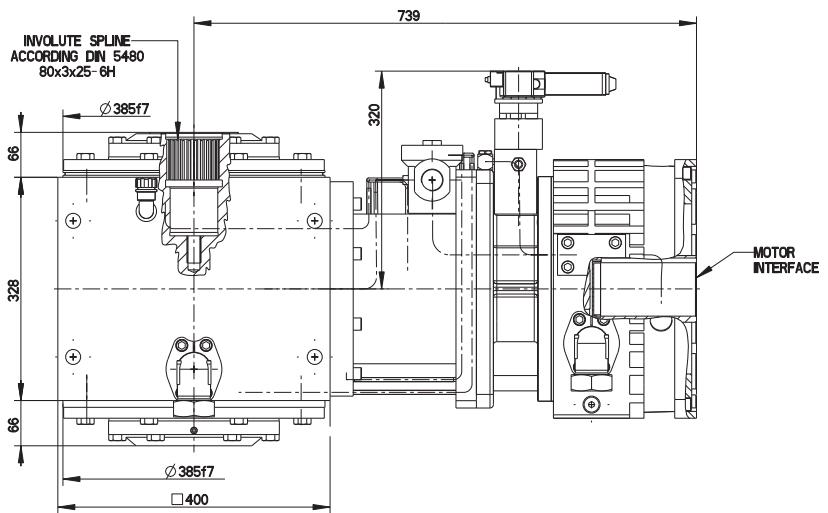
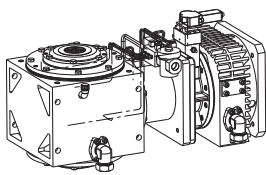
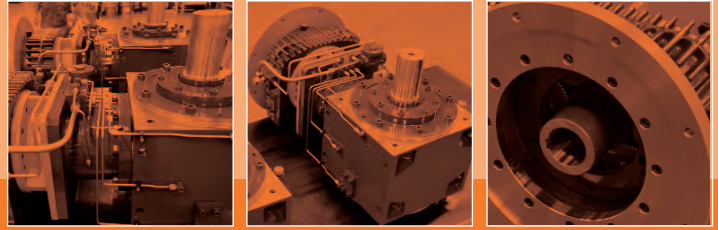
MSR 640



Dimensions and main data for information only, please refer to Product Datasheet

MODEL	Plain Shaft			
			MSR 644	MSR 646
High speed ratio	i1	-	2.00	2.00
Low speed ratio	i2	-	9.88	7.66
Rated output torque	T2N	[Nm]	5900	7000
Max. input speed	N1B	[rpm]	5000	5000
Efficiency	η	[%]	95	95
Weight	m	[kg]	548	548

REDEX



Dimensions and main data for information only, please refer to Product Datasheet

MODEL	Hollow Shaft			
			MSR 644	MSR 646
High speed ratio	i1	-	2.00	2.00
Low speed ratio	i2	-	9.88	7.66
Rated output torque	T2N	[Nm]	5900	7000
Max. input speed	N1B	[rpm]	5000	5000
Efficiency	η	[%]	95	95
Weight	m	[kg]	540	540

REDEX