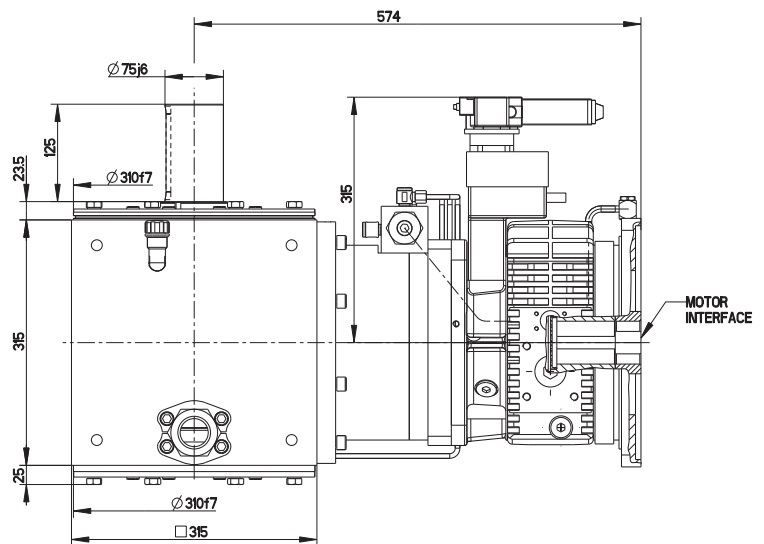
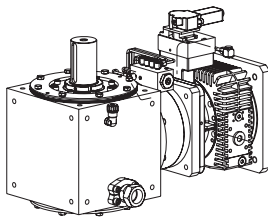


# Turnkey Turntable Drive Solution

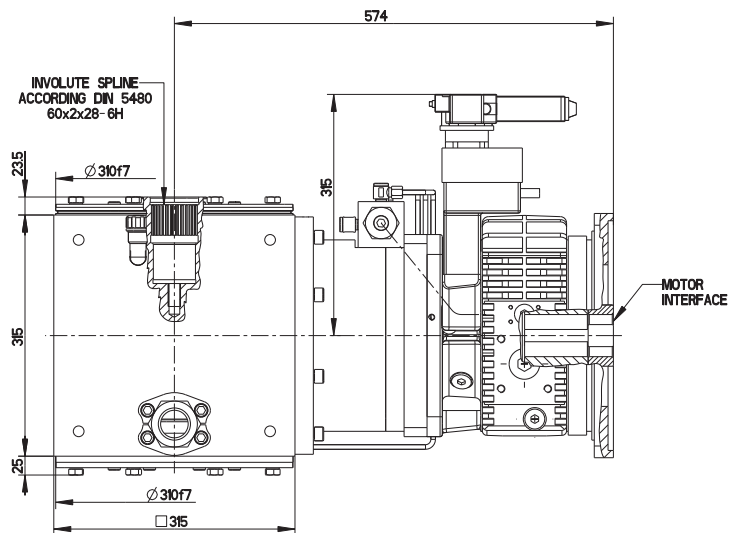
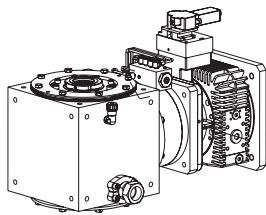
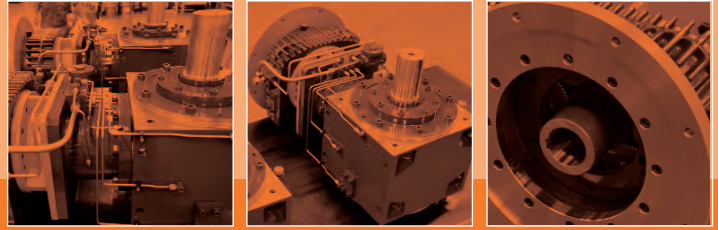
## MSR 330



Dimensions and main data for information only, please refer to Product Datasheet

MODEL	Plain Shaft			
			MSR 334	MSR 336
High speed ratio	i1	-	2.00	2.00
Low speed ratio	i2	-	9.88	7.66
Rated output torque	T2N	[Nm]	2500	2500
Max. input speed	N1B	[rpm]	6000	6000
Efficiency	$\eta$	[%]	95	95
Weight	m	[kg]	280	280

REDEX



Dimensions and main data for information only, please refer to Product Datasheet

MODEL	Hollow Shaft			
			MSR 334	MSR 336
High speed ratio	i1	-	2.00	2.00
Low speed ratio	i2	-	9.88	7.66
Rated output torque	T2N	[Nm]	2500	2500
Max. input speed	N1B	[rpm]	6000	6000
Efficiency	$\eta$	[%]	95	95
Weight	m	[kg]	276	276

REDEX