

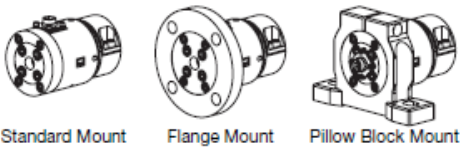
Andantex Full Bridge Cartridge Dead Shaft Idler Roller Load cells



Features & Benefits:

- Higher sensitivity for superior accuracy
- M12 Connector
- Full Bridge 500mV Voltage output
- Multiple Mounting options
Standard, flange or pillow block
- Stainless Steel Construction
- Dust proof (IP54) rating.
- Mechanical Variance Compensation
For shaft expansion & misalignment
- 360° overload protection

Mounting Options:



Specifications

Electrical

Excitation 5 VDC
 Output 500 mV, nominal @ full Load
 Gauge Resistance..... 80 to 130Ω
 Type..... Semi-Conductor
 Non-Repeatability..... ±1/4% full span
 Non-Linearity and Hysteresis (combined) ±1/2% full Span

Connector

Type Male 4 pin M12
 Pin 1 Excitation
 Pin 2 Signal
 Pin 3 Signal
 Pin 4 Excitation

Load Rating – lb. (N)

Size 1.....75, 100, 150 & 250Lbs
 OverloadTested @ 300% max. of rated
 Overload Stops110% of full load

Environmental

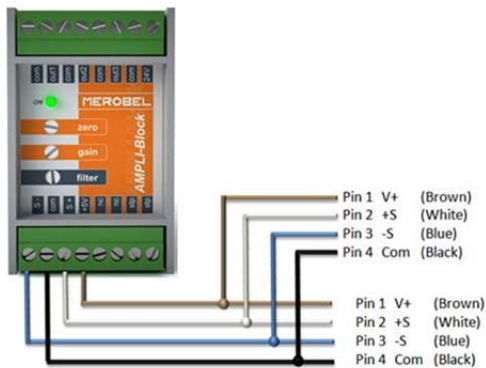
Classification IP 54
 Temperature °F (°C)
 Operating range -4 to + 150 (-20 to + 70)
 Coefficient (% per degree)..... 0.02 (0.01) typ.

Mechanical

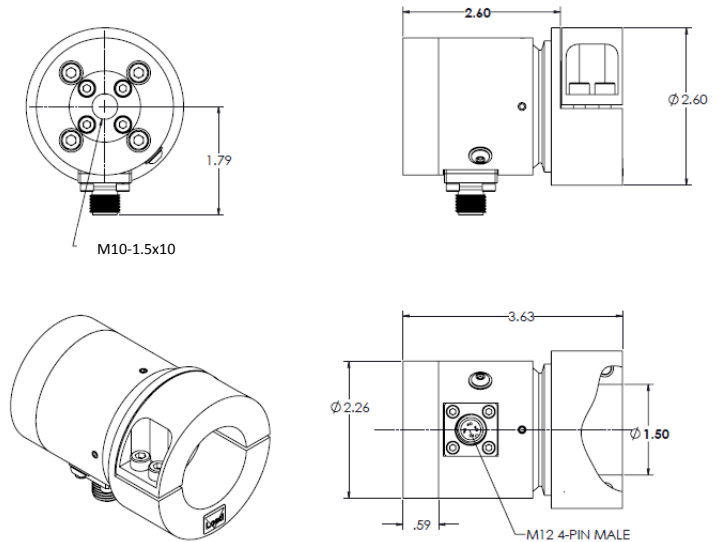
Deflection in (mm)0.008 to 0.015 (0.203 to 0.381)
 Alignment1° max.
 Bore* 1½” or (40mm)
 *Bushing available for smaller shaft sizes.

FinishStainless Steel

Full Bridge Wiring Diagram:



Size 1 Cartridge load cells (Stud mount) Dimension:



Size 1 Full Bridge Cartridge load cells part Number:

Description	Part Number
Full Bridge Size 1 – MWF 50lbs Side Connector Bore 1.5"	P/N: ANDFB.050.SC.1.50
Full Bridge Size 1 - MWF 75lbs Side Connector Bore 1.5"	P/N: ANDFB.075.SC.1.50
Full Bridge Size 1 - MWF 100lbs Side Connector Bore 1.5"	P/N: ANDFB .100.SC.1.50
Full Bridge Size 1 - MWF 150lbs Side Connector Bore 1.5"	P/N: ANDFB.150.SC.1.50
Full Bridge Size 1 - MWF 250lbs Side Connector Bore 1.5"	P/N: ANDFB.250.SC.1.50

M12 Cables:

Description	Part Number
M12 Super Shield Cable Straight Connector 6 meters (20') M12SSCSC06	P/N: 950.100.06
M12 Super Shield Cable 90° Connector 6 meters (20') M12SSC90C06	P/N: 950.190.06
M12 Supper Shield Cable Straight Connector 15 meters (50') M12SSCSC15	P/N: 950.100.15
M12 Supper Shield Cable 90° Connector 15 meters (50') M12SSC90C15	P/N: 950.190.15
M12 Supper Shield Cable Straight Connector 23 meters (75') M12SSCSC23	P/N: 950.100.23
M12 Supper shield Cable 90° Connector 23 meters (75') M12SSC90C23	P/N: 950.190.23

Bore Bushing:

Please contact our sale department if different bore size is required.