

KRPX *SIZE 4*

KRPX4

Weight

Efficiency

Backlash

Color

Tooth type

Module

Helix angle (left)

Number of teeth

Pressure angle

Theoretical pitch diameter

Addendum modification factor

Pinion quality grade

Surface hardness

Ratio

Nominal feed force

Peak acceleration feed force

Max. acceleration feed force

E-stop force

Max. linear speed

Nominal linear speed

Linear stiffness on the rack

Inertia

Ratio

Nominal output torque

Max. output torque

No load torque

No load torque

E-stop torque

Max. input speed

Nominal input speed

Radial stiffness

Axial stiffness

Torsional stiffness

CUBIconcept



General data

			M	R
m	kg	1 Stage		
		2 Stages	202	233
η	%	1 Stage		
		2 Stages	93	91
J	arcmin	Standard	3	4
		Reduced	1	2
			RAL2012	

Pinion features

		Helical	Straight
Mo	mm	6	6
β	deg	19°31'42"	0°
Z2	-	18	19
α	deg	20°	20°
D02	mm	114,59	114
x0	-	0,201	0,250
Q	(ISO 1328)	6	6
HRC	HRC	61-63	61-63

Rack features

Version			Helical	Straight
Standard	F2B	N	64013	55424
	F2NOT	N	128205	96390
	Material		C45E DIN 1.1191	
Reinforced	F2B	N	78753	N/A
	F2NOT	N	171203	N/A
	Material		16MnCr5	
Available length	L	mm	500, 1000, 2000	
Dimensions			see details p113-115	

Drive linear features

		5	7	10	17	21	31	46	61	91
F2N	N				61087	61087	62833	44681	49568	49568
F2B	N				106903	106903	109957	78192	86744	86744
F2B_max	N				213806	213806	219914	156384	173488	173488
F2NOT	N				132647	132647	132647	132647	132647	132647
V2B	m/min				85	69	46	31	24	16
V2N	m/min				28	22	15	10	8	5
K2T +M	N/μm				461	461	461	440	493	440
K2T +R	N/μm					440	440	420	437	431
I +M	kg.mm ²				3439	2246	1886	1702	1146	1095
I +R	kg.mm ²					10788	7978	7793	7265	7214

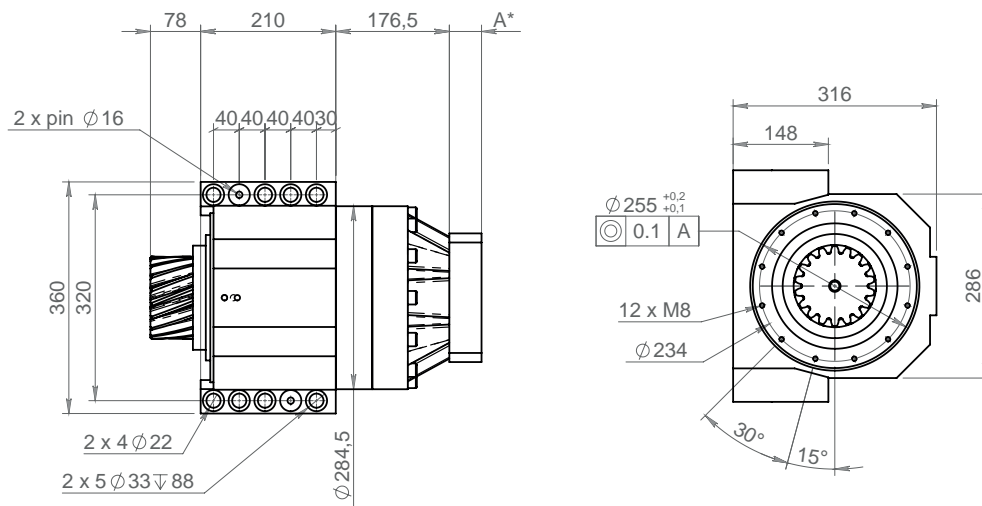
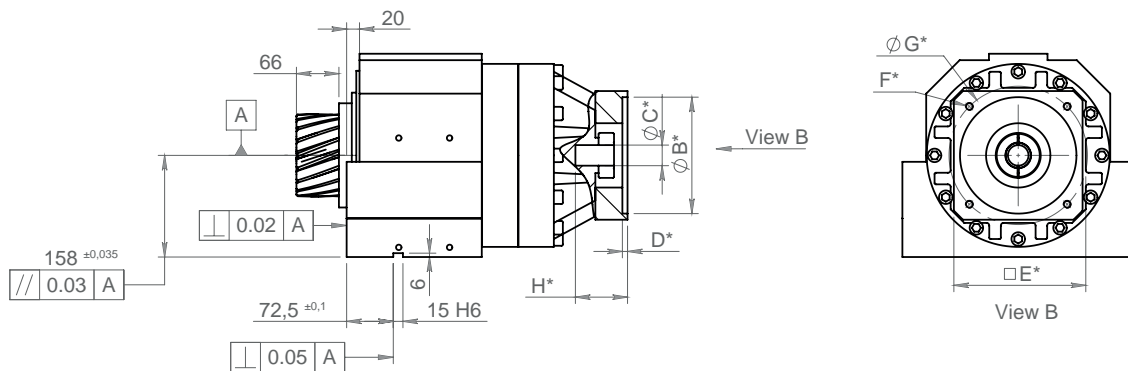
KRPX ratings

		5	7	10	17	21	31	46	61	91
T2N	Nm				3500	3500	3600	2560	2840	2840
T2B	Nm				6125	6125	6300	4480	4970	4970
T01 +R	Nm				3,6	3,6	3,6	3,6	3,6	3,6
T01 +M	Nm				3	3	3	3	3	3
T2NOT	Nm				7600	7600	7600	7600	7600	7600
n1B	rpm				4000	4000	4000	4000	4000	4000
n1N	rpm				1300	1300	1300	1300	1300	1300
K2R	N/μm				1250	1250	1250	1250	1250	1250
K2A	N/μm				5000	5000	5000	5000	5000	5000
C2t +R	Nm/ rad				2475178	2471740	2289539	2444238	2382359	
	Nm/arcmin				720	719	666	711	693	
C2t +M	Nm/ rad				2681442	2681442	2681442	2468302	3025217	2471740
	Nm/arcmin				780	780	780	718	880	719

Dimensions and main data for information only - Please consult us and / or refer to Products Datasheets
 For accurate selection, contact your local supplier

KRPX SIZE 4

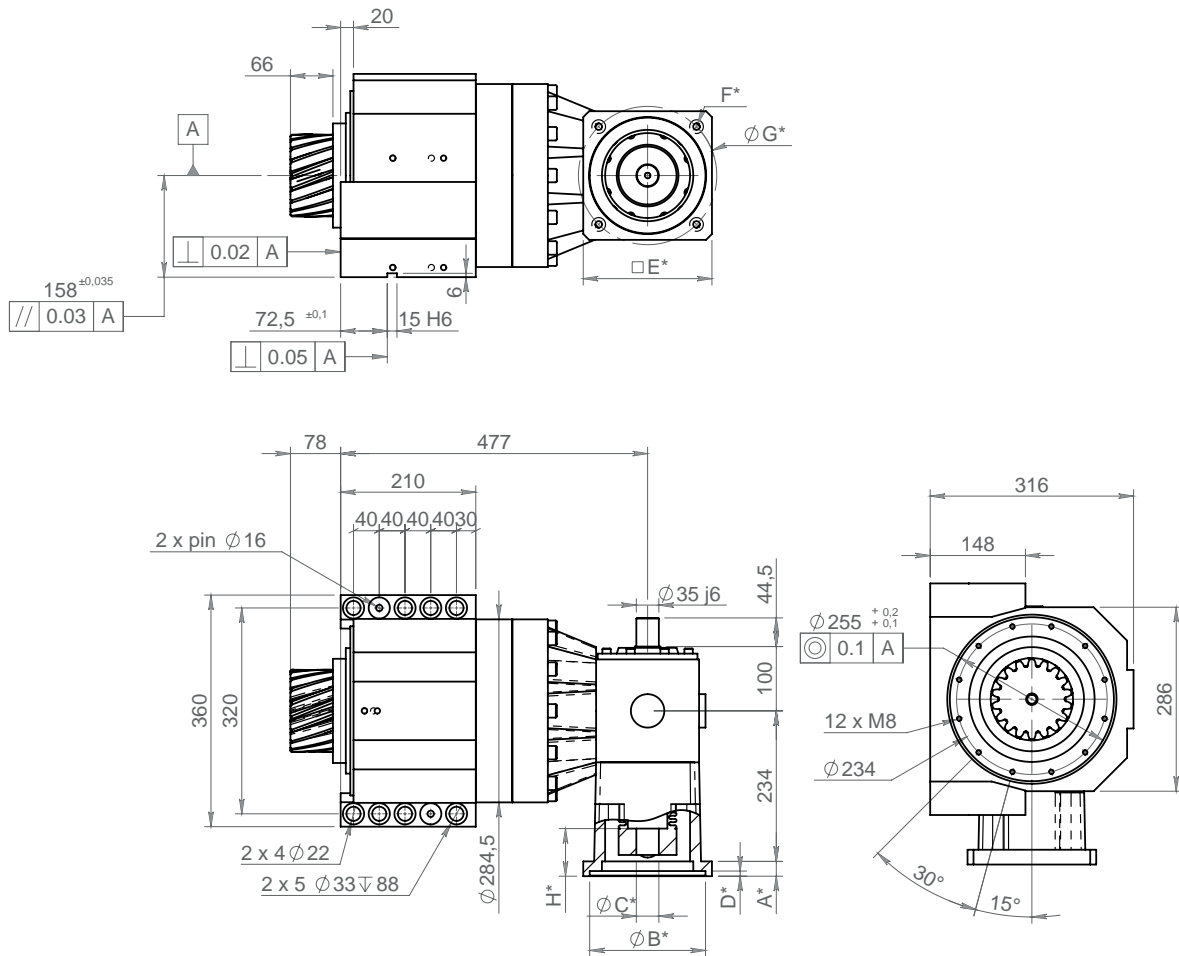
DIMENSIONS - TYPE M



	IFC 140 22/32	IFC 200 22/48	IFC 260 35/48
A	42	50	51
E	140	200	260
H	73	81	82

*B C D F G According to motor dimensions
Tapping depth = 1.5x0 thread

DIMENSIONS - TYPE R



	MF4 200	MF4 260
A	23	23
E	200	260
H	110	110

*B C D F G According to motor dimensions
Tapping depth = 1.5x0 thread

Dimensions and main data for information only - Please consult us and / or refer to Products Datasheets
For accurate selection, contact your local supplier