

KRP *SIZE 2*



KRP2

Weight

Efficiency

Backlash

Color

Tooth type

Module

Helix angle (left)

Number of teeth

Pressure angle

Theoretical pitch diameter

Addendum modification factor

Pinion quality grade

Surface hardness

Ratio

Nominal feed force

Peak acceleration feed force

Max. acceleration feed force

E-stop force

Max. linear speed

Nominal linear speed

Linear stiffness on the rack

Inertia

Ratio

Nominal output torque

Max. output torque

No load torque

No load torque

E-stop torque

Max. input speed

Nominal input speed

Radial stiffness

Axial stiffness

Torsional stiffness

General data

			M	R
m	kg	1 Stage	46	53
		2 Stages	49	56
η	%	1 Stage	96	94
		2 Stages	93	91
J	arcmin	Standard	3	4
		Reduced	1	2
RAL2012				

Pinion features

		Helical	Straight
Mo	mm	4	4
β	deg	19°31'42"	0°
Z2	-	18	19
α	deg	20°	20°
D02	mm	76,39	76
x0	-	0,638	0,688
Q	(ISO 1328)	6	6
HRC	HRC	61-63	61-63

Rack features

Version			Helical	Straight
Standard	F2B	N	28552	24705
	F2NOT	N	57103	42966
	Material		C45E DIN 1.1191	
Reinforced	F2B	N	35138	N/A
	F2NOT	N	76388	N/A
	Material		16MnCr5	
Available length	L	mm	500, 1000, 2000	
Dimensions			see details p113-115	

Drive linear features

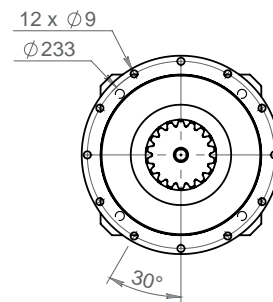
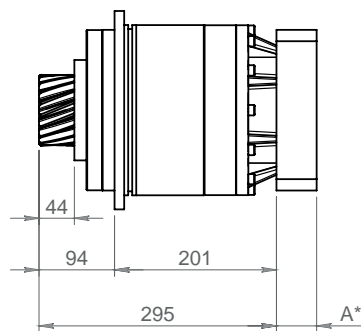
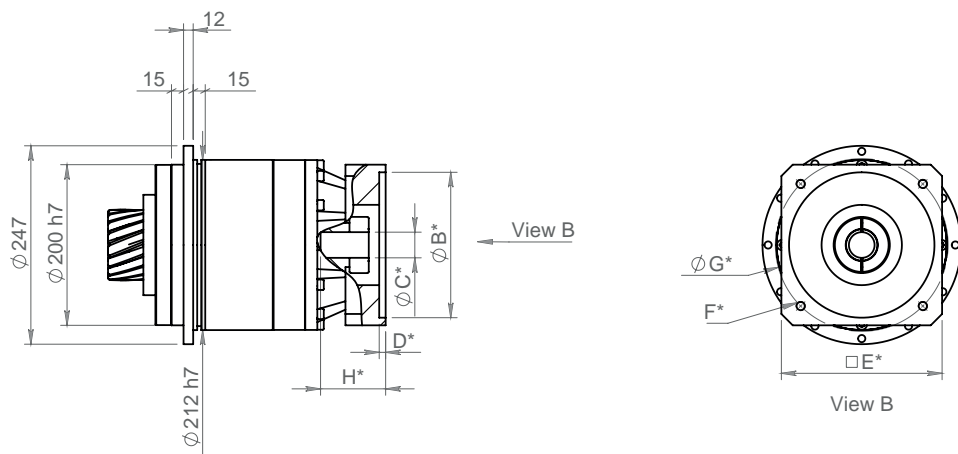
		5	7	10	17	21	31	46	61	91
F2N	N	26181	26181	20945	27491	20945	31418	20945	30109	20945
F2B	N	45818	45818	36654	48121	36654	54981	36654	52703	36654
F2B_max	N	91635	91635	73308	96243	73308	109962	73308	105406	73308
F2NOT	N	71999	71999	71999	71999	71999	71999	71999	71999	71999
V2B	m/min	192	137	96	85	69	46	31	24	16
V2N	m/min	53	38	26	30	24	16	11	8	6
K2T +M	N/μm	313	317	288	276	276	291	278	288	275
K2T +R	N/μm	309	294	2965		251	273	273	285	275
I +M	kg.mm ²	2559	1741	1308	816	722	663	634	596	588
I +R	kg.mm ²	11101	10310	7427		1321	1263	1234	1196	1188

KRP ratings

		5	7	10	17	21	31	46	61	91
T2N	Nm	1000	1000	800	1050	800	1200	800	1150	800
T2B	Nm	1750	1750	1400	1838	1400	2100	1400	2013	1400
T01 +R	Nm	8,8	8,8	8,8	2,3	2,3	2,3	2,3	2,3	2,3
T01 +M	Nm	8	8	8	2	2	2	2	2	2
T2NOT	Nm	2750	2750	2750	2750	2750	2750	2750	2750	2750
n1B	rpm	4000	4000	4000	6000	6000	6000	6000	6000	6000
n1N	rpm	1100	1100	1100	2100	2100	2100	2100	2100	2100
K2R	N/μm	650	650	650	650	650	650	650	650	650
K2A	N/μm	2162	2162	2162	2162	2162	2162	2162	2162	2162
C2t +R	Nm/ rad	1038200	928192	749429		677236	794120	794120	866312	804433
	Nm/arcmin	302	270	218		197	231	231	252	234
C2t +M	Nm/ rad	1220400	1100079	886939	814746	814746	904127	825059	883501	807870
	Nm/arcmin	355	320	258	237	237	263	240	257	235

Dimensions and main data for information only - Please consult us and / or refer to Products Datasheets
 For accurate selection, contact your local supplier

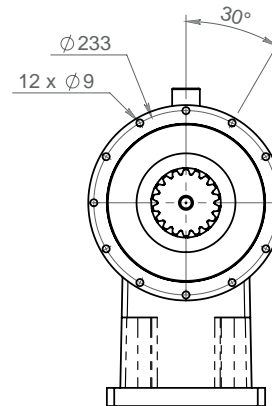
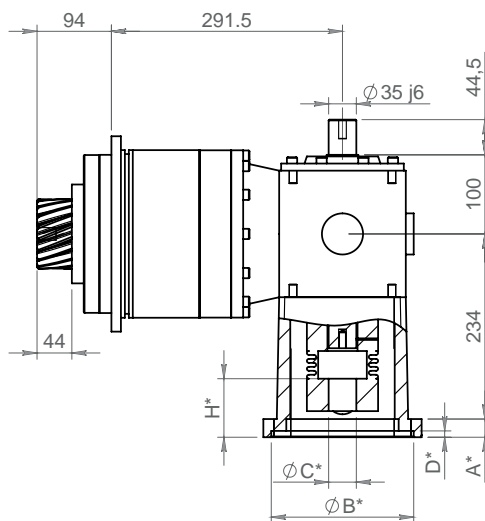
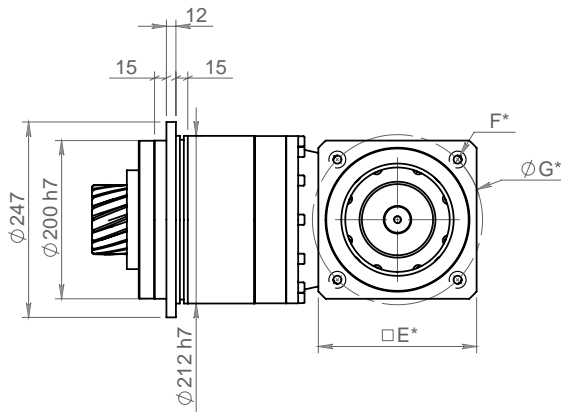
DIMENSIONS - TYPE M 1 stage



	IFC 140 22/32	IFC 200 22/48	IFC 260 35/48
A	42	50	51
E	140	200	260
H	73	81	82

*B C D F G According to motor dimensions
Tapping depth = 1.5x0 thread

DIMENSIONS - TYPE R 1 stage



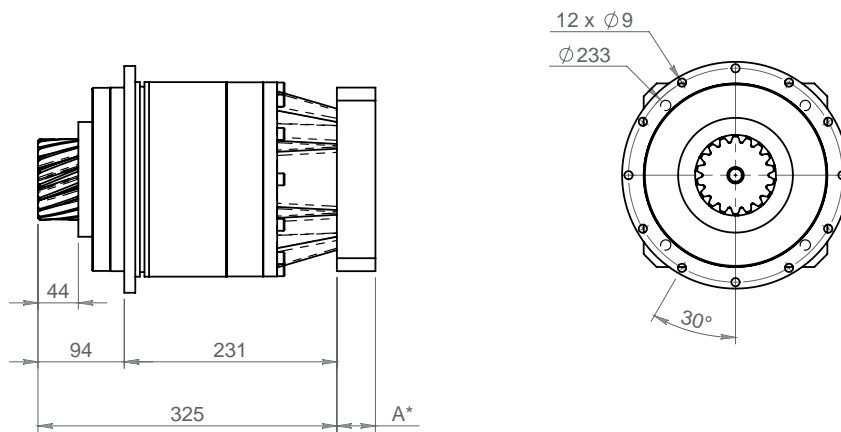
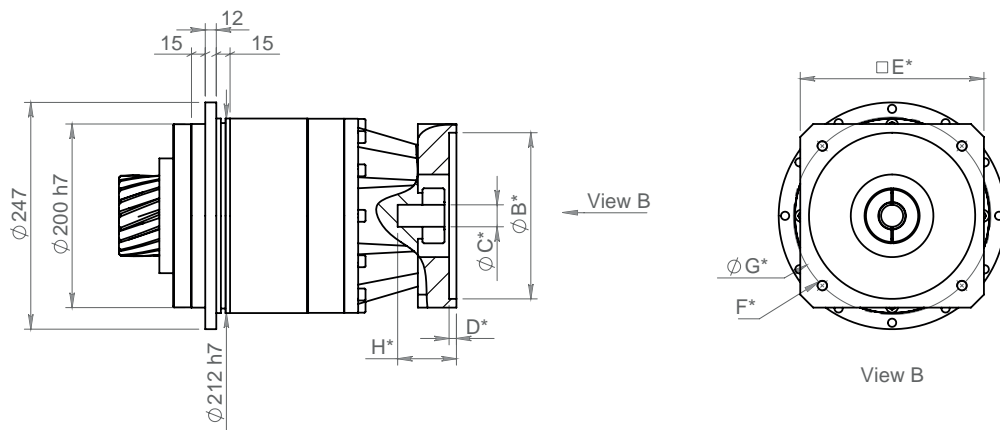
	MF4 200	MF4 260
A	23	23
E	200	260
H	110	110

*B C D F G According to motor dimensions
Tapping depth = 1.5x0 thread

Dimensions and main data for information only - Please consult us and / or refer to Products Datasheets
For accurate selection, contact your local supplier

KRP SIZE 2

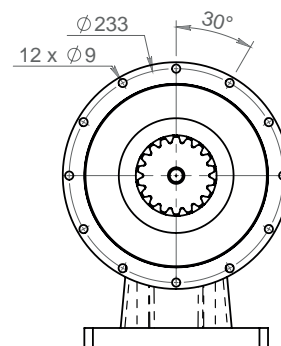
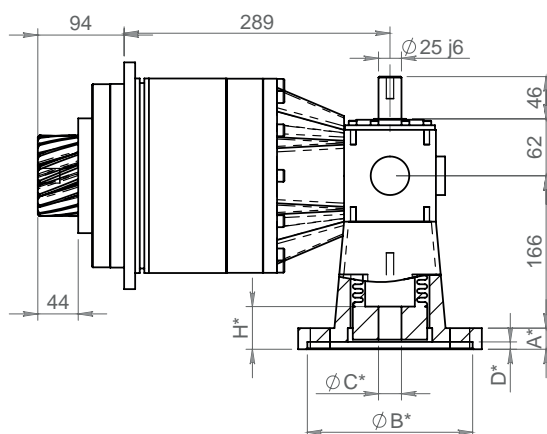
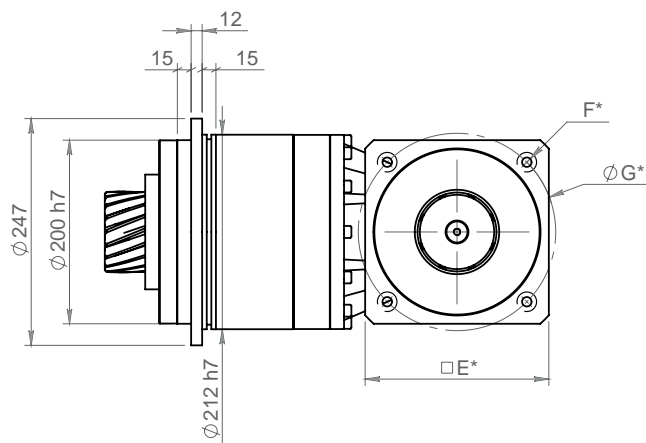
DIMENSIONS - TYPE M 2 stages



	IFB 140 14/24	IFB 140 28/38	IFB 200 28/38	IFB 260 28/38
A	37	42	57	64
E	140	140	200	260
H	59	65	80	87

*B C D F G According to motor dimensions
Tapping depth = 1.5x0 thread

DIMENSIONS - TYPE R 2 stages



	MF2 140	MF2 200
A	23	23
E	140	200
H	80	80

*B C D F G According to motor dimensions
Tapping depth = 1.5x0 thread

Dimensions and main data for information only - Please consult us and / or refer to Products Datasheets
For accurate selection, contact your local supplier