



Case Studies

DGT3000⁺

1. Open Loop - Diameter measurement
2. Dancer application
3. Load cells tension control
4. Motor unwind /rewind
5. Motor infeed / outfeed intermediate control
6. Speed follower solution
7. Complementary wiring diagram

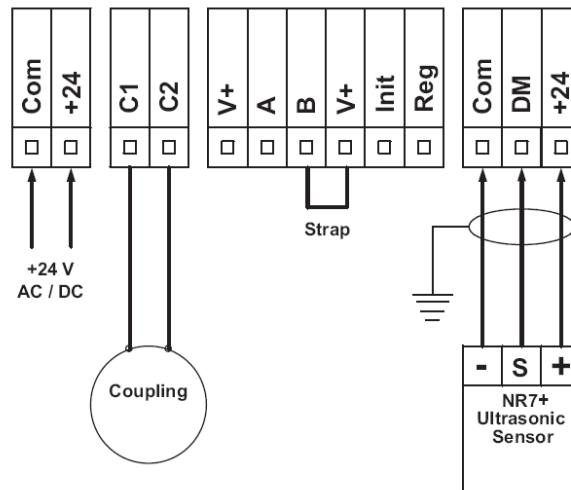
01

Diameter measurement → Open Loop control

Ultrasonic or laser sensor measures distance from a fixed point to the external surface of the roll.
Controller provides right torque level according to the radius, and keep the tension constant all along running process.



01-1 Wiring



01-2 Starting parameter set

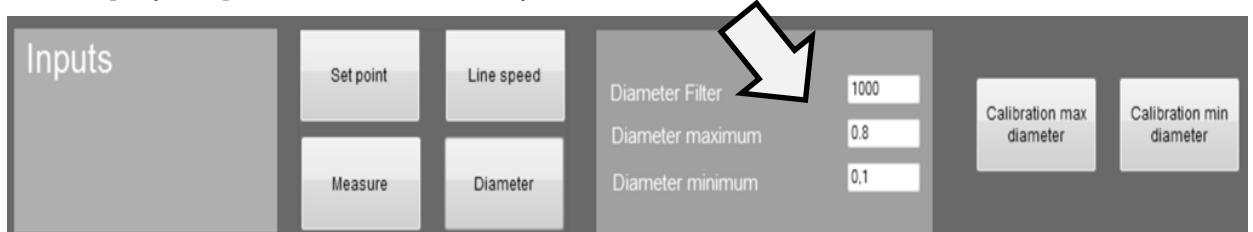
DISPLAY	Ligne 1	Setpoint
	Ligne 2	Diameter
PROCESS	Time delay start	
	Time delay stop	
	Hold	
INPUTS	Max effort	100
	Set point value	50
	Diameter filtering	1000
	Ligne speed filtering	
OUTPUTS	Upper limit	0
	Bottom limit	10
	Power output gain	100
REGULATION	P	
	I	
	D	
	Measurement filtering	
	Open loop coefficient	100
	Close loop coefficient	0
	Speed gain	
	Speed coefficient	
Overspeed		

01-3

Calibration

1 - Calibration sensors US & Laser

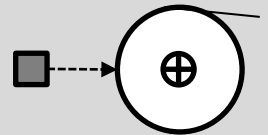
Select [Inputs] > Diameter and set parameters data



Send parameters to Memory (M1 à M5)



- Simulate max diameter of the roll
click [**Calibration max diameter**]



- Simulate min diameter of the roll
click [**Calibration min diameter**]



- Check diameter variation on the whole range



2 – Set point

Define Effort Max [Regulation] [Open loop]
100%, or max tension available for max torque and max diameter
Select int. or ext. (0-10 V) in menu [Inputs] > Setpoint


3 - Definition inputs / outputs

see -> Menus [Inputs] & [Outputs] and define relevant values according to your application.

4 – Power output (brake and clutch current setting)

See -> Menu [Output] > power C1 C2 and set relevant power output gain

5 – Special functions

Details of all special functions (taper, Estop...) necessary to your application are available in Help menu (click on icon )

02

Dancer

→ Closed Loop control

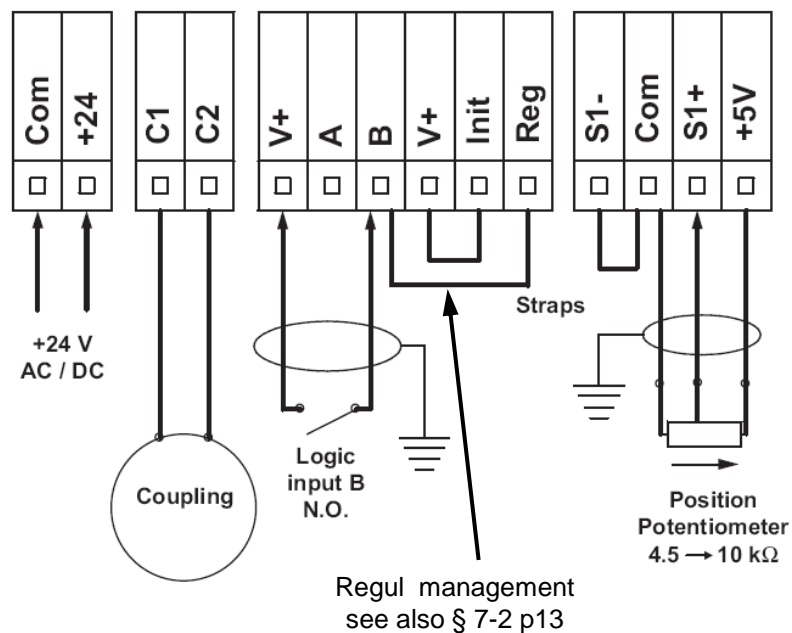
Tension is related to the force applied on the dancer roll (fixed weight or pressure in a pneumatic cylinder).

A potentiometer sensor measures dancer roll position. Torque is automatically adjusted to hold dancing roller at the same intermediate position.



02-1

Wiring



02-2

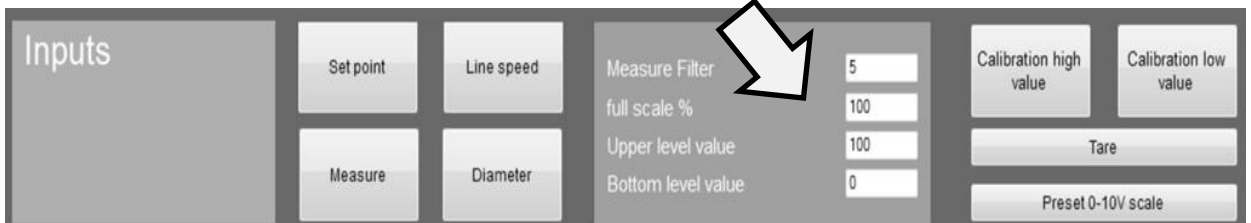
Starting parameter set

DISPLAY	Ligne 1	Setpoint
	Ligne 2	Measure
PROCESS	Time delay start	1
	Time delay stop	300
	Hold	100
INPUTS	Max effort	
	Set point value	50
	Diameter filtering	
	Ligne speed filtering	
OUTPUTS	Upper limit	0
	Bottom limit	10
	Power output gain	100
REGULATION	P	100
	I	5
	D	100
	Measure filtering	5
	Open loop coefficient	0
	Close loop coefficient	100
	Speed gain	0
	Speed coefficient	
	Overspeed	0

Calibration

1 - Calibration of dancer position

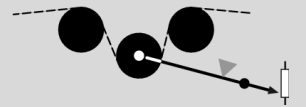
Select [Inputs] > Measure and set parameters data



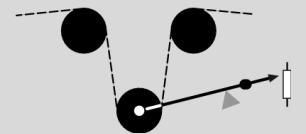
Send parameters to Memory (M1 à M5)



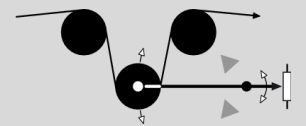
- Position dancer in top position
click [**Calibration high value**]



- Position dancer in bottom position
click [**Calibration low value**]



- Check variation is continuous from bottom to top position



2 – Set point

Set point is usually the medium dancer position (internal value 50%)
See menu [Inputs] > Setpoint


3 - Definition inputs / outputs

see -> Menus [Inputs] & [Outputs] and define relevant values according to your application.

4 – Power output (brake and clutch current setting)

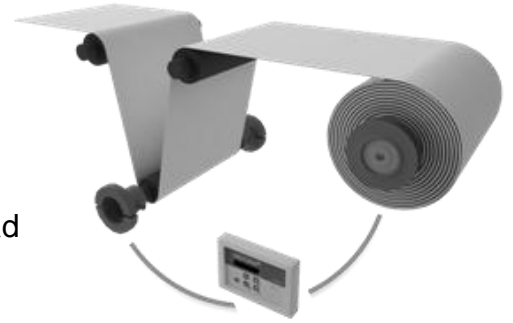
See -> Menu [Output] > power C1 C2 and set relevant power output gain

5 – Special functions

Details of all special functions (taper, Estop...) necessary to your application are available in Help menu (click on icon )

03

Tension control with load cells → Closed loop control

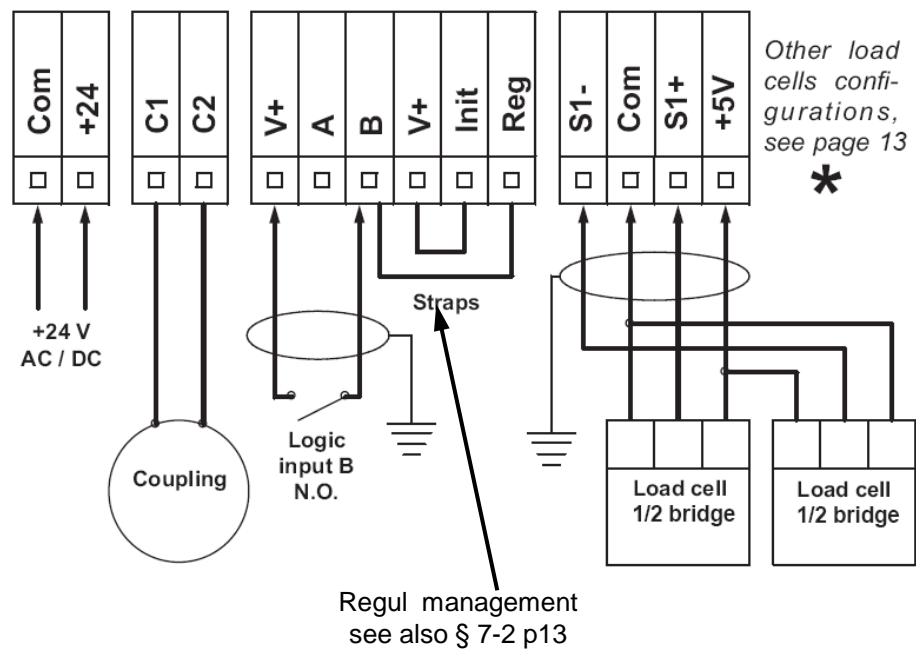


Tension on the product is given by the continuous monitoring of difference between set point and load cells measurement feedback.

Torque is automatically adjusted through a PID control loop to keep actual tension as closed as possible to set point tension value.

03-1

Wiring



03-2

Starting parameter set

DISPLAY	Ligne 1	Setpoint
	Ligne 2	Measure
PROCESS	Time delay start	1
	Time delay stop	300
	Hold	10
INPUTS	Max effort	
	Set point value	50
	Diameter filtering	
	Ligne speed filtering	
OUTPUTS	Upper limit	0
	Bottom limit	10
	Power output gain	100
REGULATION	P	100
	I	20
	D	0
	Measure filtering	100
	Open loop coefficient	0
	Close loop coefficient	100
	Speed gain	0
	Speed coefficient	
	Overspeed	0

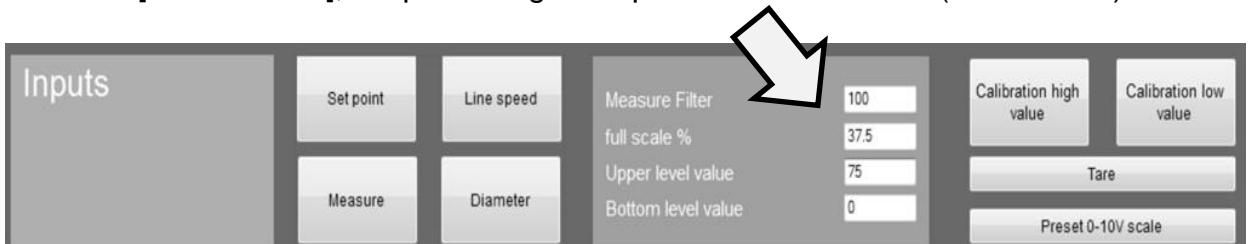
Calibration

1 - Calibration load cell measurement

Select [Inputs] > Measure and set parameters data

Enter calibration weight value : [Upper level value] (here 75N)

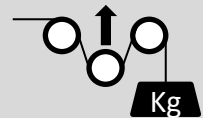
If the weight is not equal to max tension required for the application (here 200N), define in [full scale %], its percentage compared to max tension (here 37.5%)



Send parameters to Memory (M1 à M5)



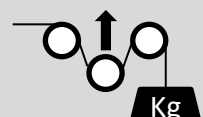
- Simulate the load with a string following the product path and hang the weight.
click [**Calibration high value**]



- Remove the load and any stress on the load cells
click [**Calibration low value**]
→ Calibration done



- Check your measure readout for minimum & maximum load



2 – Set point

Set point is required tension level for your application
Select int. or ext. (0-10 V) in menu [Inputs] > Setpoint
See menu [Inputs] > Setpoint


3 - Definition inputs / outputs

see -> Menus [Inputs] & [Outputs] and define relevant values according to your application.

4 – Power output (brake and clutch current setting)

See -> Menu [Output] > power C1 C2 and set relevant power output gain

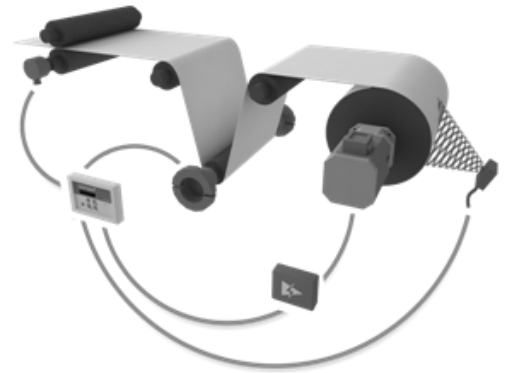
5 – Special functions

Details of all special functions (taper, Estop...) necessary to your application are available in Help menu (click on icon )

04

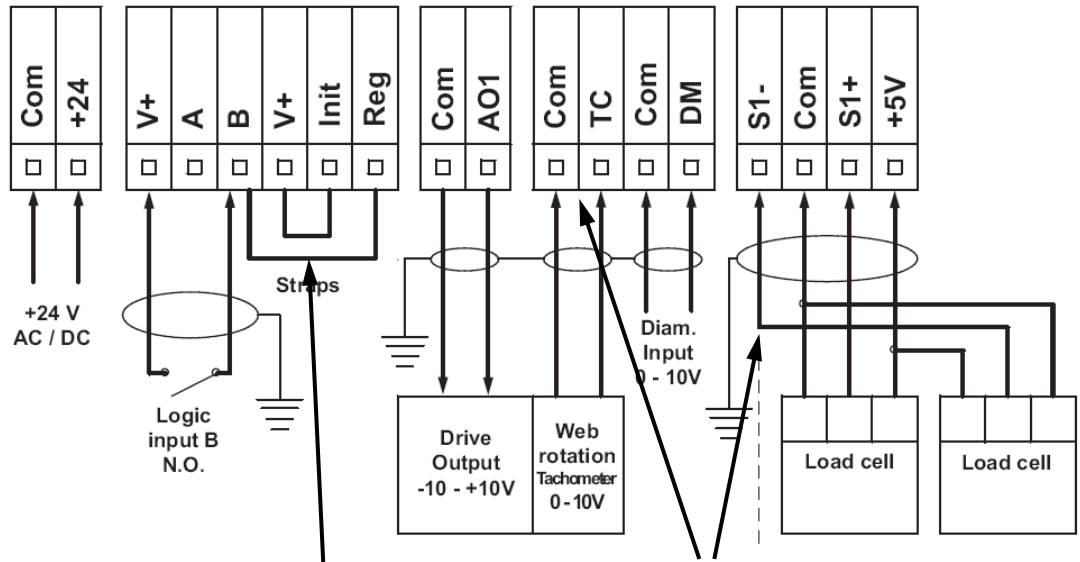
Motor application unwind / rewind solution

Control tension solution with motor speed drive.



04-1

Wiring



Regul management
see also § 7-2 p13

Other load cells and
line speed wiring
see p 13

04-2

Starting parameter set

DISPLAY	<i>Ligne 1</i>	<i>Setpoint</i>
	<i>Ligne 2</i>	<i>Measure</i>
PROCESS	<i>Time delay start</i>	1
	<i>Time delay stop</i>	300
	<i>Hold</i>	10
INPUTS	<i>Max effort</i>	
	<i>Set point value</i>	50
	<i>Diameter filtering</i>	
	<i>Ligne speed filtering</i>	
OUTPUTS	<i>Upper limit</i>	0
	<i>Bottom limit</i>	10
	<i>Power output gain</i>	100
REGULATION	<i>P</i>	10
	<i>I</i>	5
	<i>D</i>	0
	<i>Measure filtering</i>	100
	<i>Open loop coefficient</i>	0
	<i>Close loop coefficient</i>	100
	<i>Speed gain</i>	Calcul !
	<i>Speed coefficient</i>	100
	<i>Overspeed</i>	0

04-3 **Formula Regulation / Speed Gain =**
$$\frac{V_L}{10 V_R}$$

04-4 **Case : line speed with 0-10 V tacho signal**

Inputs : COM / TC

V_L (mpm) = linear speed for 10 V in tacho input

V_R (rpm) = Max rotation speed of the motor (equivalent rotation speed with 10V sur AO1 output (or 10V on motor drive input))

04-5 **Case : line speed with encoder (pulses) signal** 

Inputs : COM / LS – see wiring p13

V_L (mpm) = linear speed for encoder signal = 30 kHz

V_R (rpm) = Max rotation speed of the motor (equivalent rotation speed with 10V sur AO1 output (or 10V on motor drive input))

04-6 **Calibration**

Diameter calibration

> See p2

Load cell calibration

> See p6

Set point definition

> See p6

Definition inputs / outputs

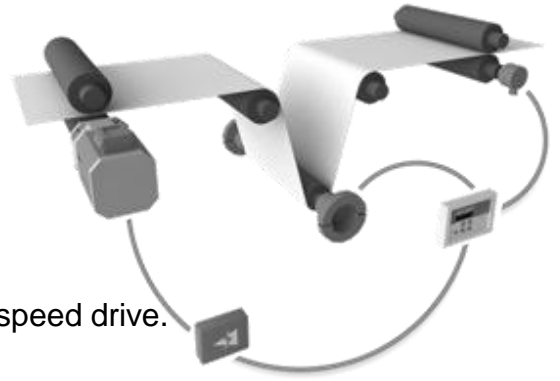
➤ See p6

Special functions

> See p6

05

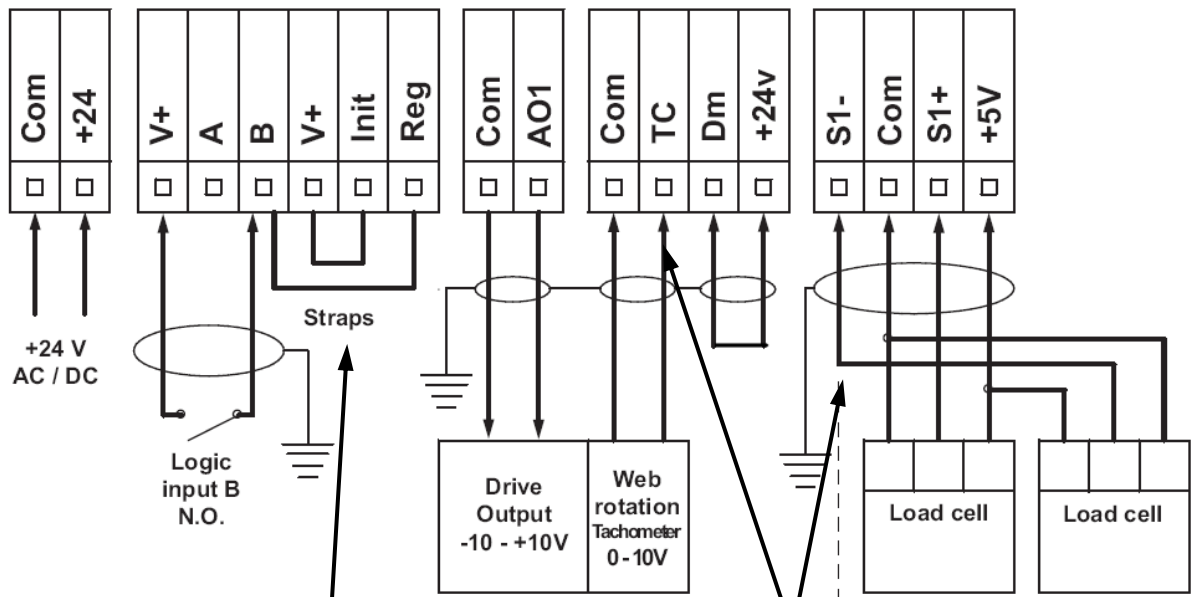
Motor application Infeed / outfeed solution (intermediate tension control)



Intermediate tension control solution with motor speed drive.

05-1

Wiring



Regul management
see also § 7-2 p13

Other load cells and
line speed wiring
see p 13

05-2

Starting parameter set

DISPLAY	Ligne 1	Setpoint
	Ligne 2	Measure
PROCESS	Time delay start	1
	Time delay stop	300
	Hold	10
INPUTS	Max effort	
	Set point value	50
	Diameter filtering	
	Ligne speed filtering	
OUTPUTS	Upper limit	0
	Bottom limit	10
	Power output gain	100
REGULATION	P	10
	I	5
	D	0
	Measure filtering	100
	Open loop coefficient	0
	Close loop coefficient	100
	Speed gain	Calcul !
	Speed coefficient	100
Overspeed	0	

05-3 **Formula Regulation / Speed Gain =**
$$\frac{V_L}{10 V_R}$$

05-4 **Case : line speed with 0-10 V tacho signal**

Inputs : COM / TC

V_L (mpm) = linear speed for 10 V in tacho input

V_R (rpm) = Max rotation speed of the motor (equivalent rotation speed with 10V sur AO1 output (or 10V on motor drive input))

05-5 **Case : line speed with encoder (pulses) signal** 

Inputs : COM / LS – see wiring p13

V_L (mpm) = linear speed for encoder signal = 30 kHz

V_R (rpm) = Max rotation speed of the motor (equivalent rotation speed with 10V sur AO1 output (or 10V on motor drive input))

05-6 **Calibration**

Diameter calibration

> See p2

Load cell calibration

> See p6

Set point definition

> See p6

Definition inputs / outputs

➤ See p6

Special functions

> See p6

06

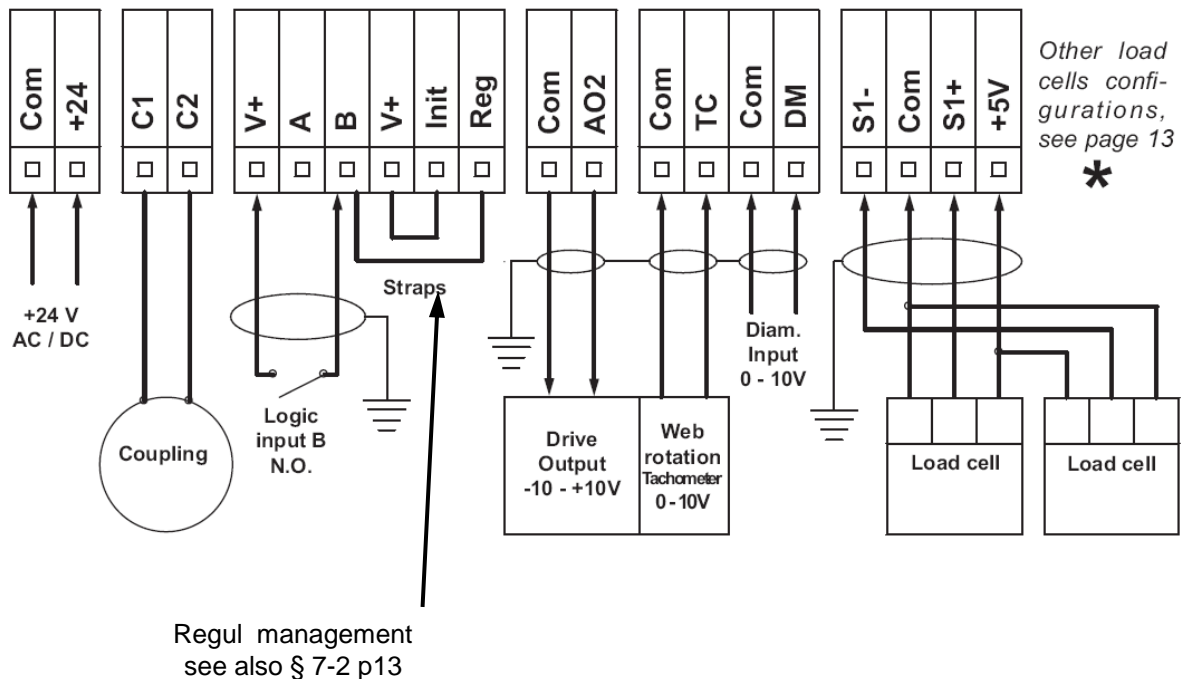
Speed follower solution

Used for rewinding or reversible applications, speed follower function drives both speed with motor and torque with clutch to generate very smooth control on the tension combined with a limited slipping speed in the clutch eliminating then heat dissipation issues.



06-1

Wiring



06-2

Starting parameter set

DISPLAY	Ligne 1	Setpoint
	Ligne 2	Measure
PROCESS	Time delay start	1
	Time delay stop	300
	Hold	10
INPUTS	Max effort	
	Set point value	50
	Diameter filtering	1000
	Ligne speed filtering	100
OUTPUTS	Upper limit	0
	Bottom limit	10
	Power output gain	100
REGULATION	P	100
	I	20
	D	0
	Measure filtering	100
	Open loop coefficient	0
	Close loop coefficient	100
	Speed gain	Calcul 1
	Speed coefficient	0
	Overspeed	Calcul 2

06-3 **Formula Regulation / Speed Gain =**
$$\frac{V_L}{10 V_R}$$

06-4 **Case : line speed with 0-10 V tacho signal**

Inputs : COM / TC

V_L (mpm) = linear speed for 10 V in tacho input

V_R (rpm) = Max rotation speed of the motor (equivalent rotation speed with 10V sur AO1 output (or 10V on motor drive input))

06-5 **Case : line speed with encoder (pulses) signal** 

Inputs : COM / LS – see wiring p13

V_L (mpm) = linear speed for encoder signal = 30 kHz

V_R (rpm) = Max rotation speed of the motor (equivalent rotation speed with 10V sur AO1 output (or 10V on motor drive input))

06-6 **Formula Overspeed =**
$$\frac{S_s \times AO2_{max}}{V_R}$$

S_s (rpm) = clutch slipping speed (60rpm recommended)

$AO2_{max}$ (V) = Max voltage output on AO2 (usually 10V)

V_R (rpm) = V_R (rpm) = Max rotation speed of the motor (equivalent rotation speed with 10V sur AO1 output (or 10V on motor drive input))

06-7 **Calibration**

Diameter calibration

> See p2

Load cell calibration

> See p6

Set point definition

> See p6

Definition inputs / outputs

➤ See p6

Special functions

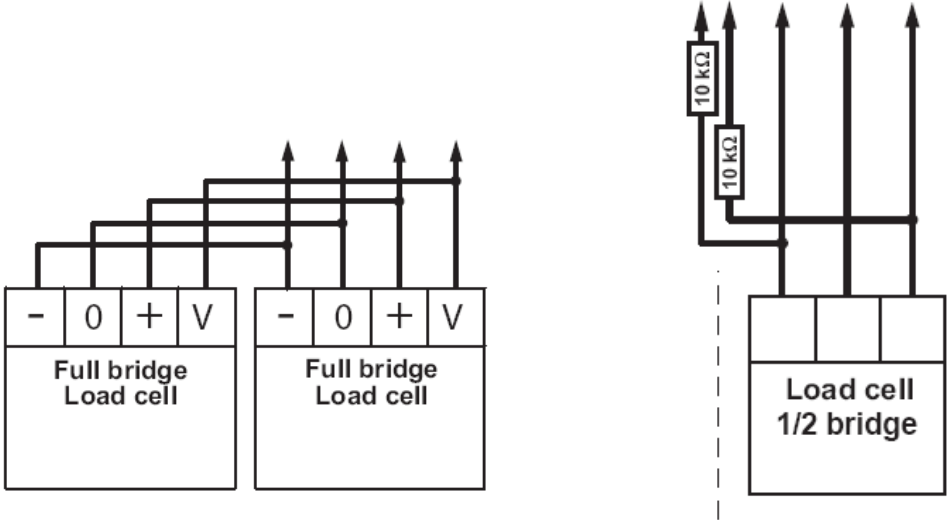
> See p6

07

Complementary wiring diagram

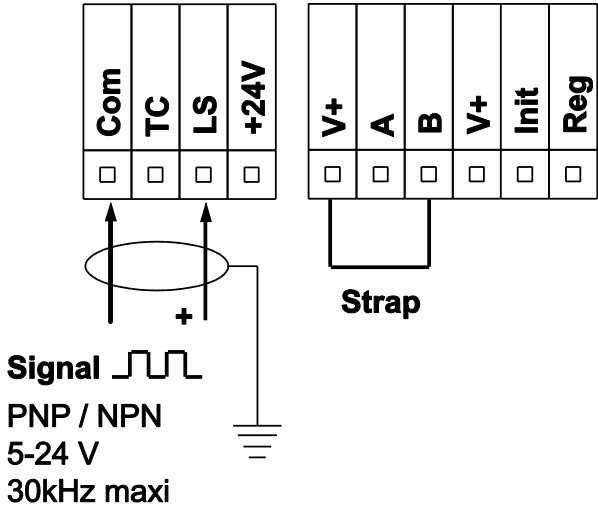
07-1

Other load cells configuration



07-2

Auto / manu (hold) management with encoder line speed selection



Note

FRANCE

MEROBEL

Zone Industrielle – 45210 Ferrières
T. +33 2 38 94 42 00 - F. +33 2 38 94 42 99
E. merobel@merobel.com

www.merobel.com

USA

ANDANTEX USA Inc.

1705 Valley Road– Wanamassa, NJ 07712
Ph. 1 732 493 2812 - F. 1 732 493 29 49
E. info@andantex.com

www.andantex.com

ITALIA

ANDANTEX Srl

Via Fratelli di Dio 2/A – 20063 Cernusco / Naviglio (MI)
T. +39 02 92 17 091 - F. +39 02 92 100 455
E. merobel@merobel.com

www.andantex.it

UK

ANDANTEX Ltd

Rowley Drive – Coventry CV3 4LS
T. +44 24 7630 7722 - F. +44 24 7630 4499
E. sales@andantex.co.uk

www.andantex.co.uk

CHINA

REDEX China

瑞德克斯（上海）机械维修服务有限公司
上海市松江区三浜路388号12栋 201611
Ph.+86 21 64480636 | F.+86 21 64480757
E. sales@redex-china.cn

www.merobel.com

INDIA

REDEX of India

Alcazar Plaza, Hyderabad 500034 - Andra Pradesh -
Ph. +91 40 6613 9966 | Fx. +91 40 2338 6966
E. sales@redex-india.in

www.merobel.com

Local Contact

REDEX
Great achievements start with us

www.redex-group.com

GBV0-1